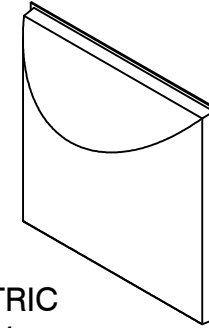
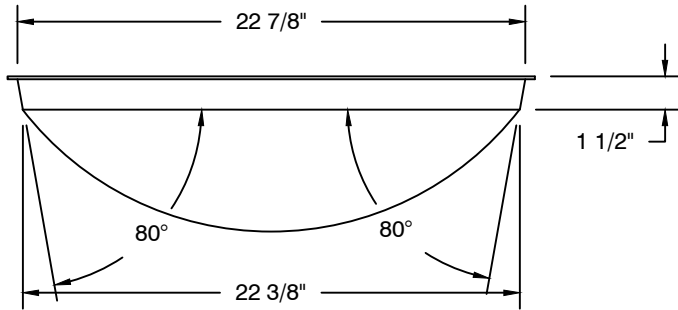
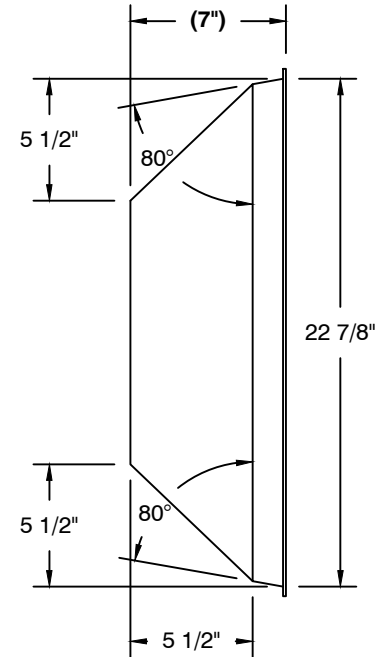
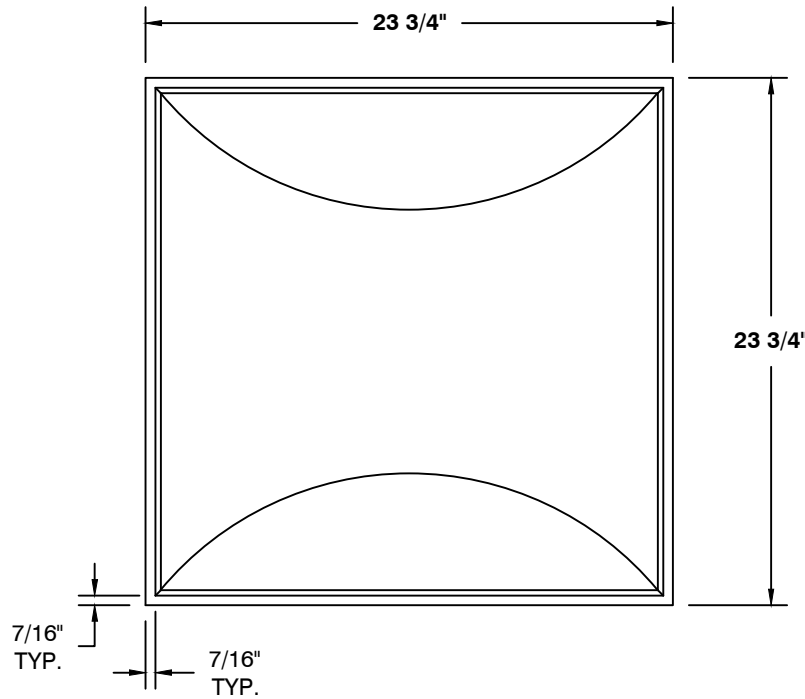


THIS DRAWING AND ALL INFORMATION CONTAINED HEREIN IS AND REMAINS THE PROPERTY OF CONWED DESIGNSCAPE / WALL TECHNOLOGY AND IS CONFIDENTIAL. IT IS SUBMITTED AND MAY BE USED ONLY IN CONNECTION WITH CONWED DESIGNSCAPE / WALL TECHNOLOGY'S PROPOSAL AND/OR ITS CUSTOMERS ORDERS. IT SHALL NOT BE DISCLOSED TO OTHERS OR COPIED WITHOUT CONWED DESIGNSCAPE / WALL TECHNOLOGY'S SPECIFIC WRITTEN CONSENT AND SHALL BE IMMEDIATELY RETURNED UPON REQUEST.



ISOMETRIC VIEW



NOTES:
1. 10° DRAFT AT PANEL BACK



Conwed | Wall Technology
designscape

800 Gustafson Rd., Ladysmith, WI 54848
phone: 800.932.2383 - fax: 800.833.4798
www.conweddesignscape.com

TITLE: Standard Lay-in Barrel	
DWG NO. 2'-0" x 2'-0"	
DRAWN BY GSS	SHEET 1 OF 1
SCALE N.T.S.	DATE: 3/30/2005