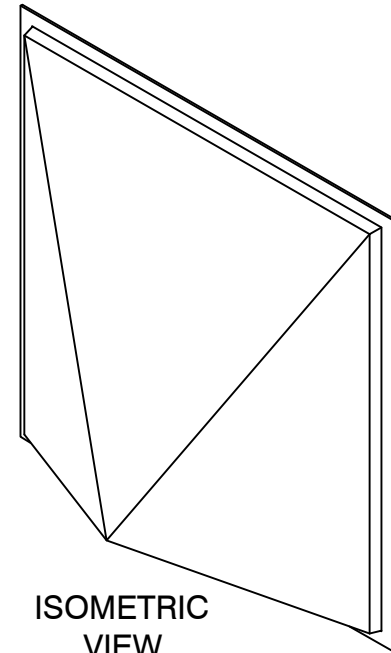
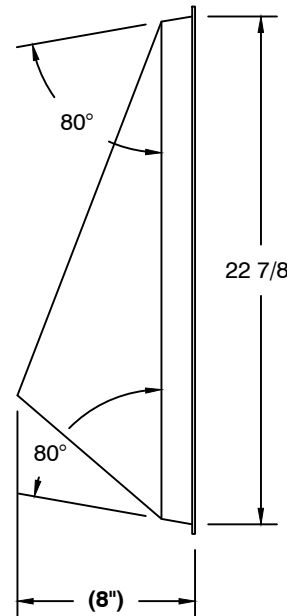
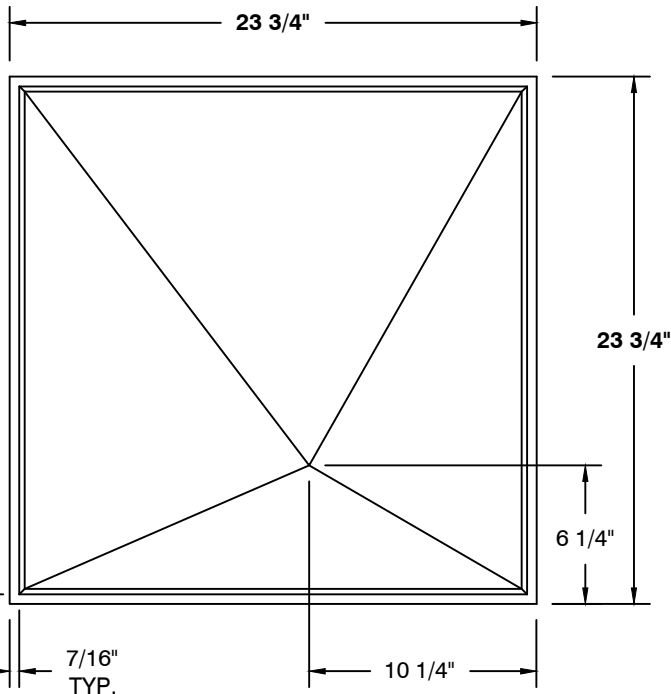
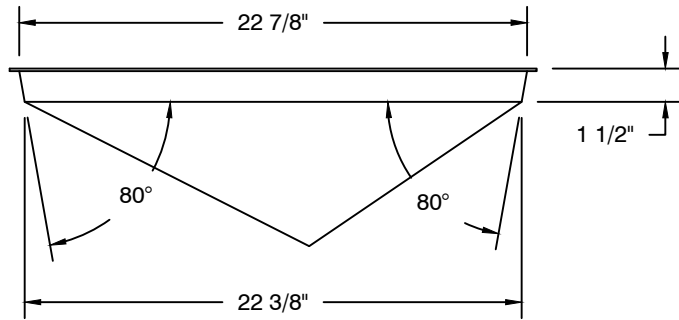


THIS DRAWING AND ALL INFORMATION CONTAINED HEREIN IS AND REMAINS THE PROPERTY OF CONWED DESIGNSCAPE / WALL TECHNOLOGY AND IS CONFIDENTIAL. IT IS SUBMITTED AND MAY BE USED ONLY IN CONNECTION WITH CONWED DESIGNSCAPE / WALL TECHNOLOGY'S PROPOSAL AND/OR ITS CUSTOMERS ORDERS. IT SHALL NOT BE DISCLOSED TO OTHERS OR COPIED WITHOUT CONWED DESIGNSCAPE / WALL TECHNOLOGY'S SPECIFIC WRITTEN CONSENT AND SHALL BE IMMEDIATELY RETURNED UPON REQUEST.



7/16"  
TYP.

7/16"  
TYP.

NOTES:  
1. 10° DRAFT AT PANEL BACK



**Conwed | Wall Technology**  
designscape

800 Gustafson Rd., Ladysmith, WI 54848  
phone: 800.932.2383 - fax: 800.833.4798  
www.conweddesignscape.com

TITLE: <b>Standard Lay-in Pyramidal</b>	
DWG NO. 2'-0" x 2'-0"	
DRAWN BY <b>GSS</b>	SHEET 1 OF 1
SCALE <b>N.T.S.</b>	DATE: <b>3/30/05</b>