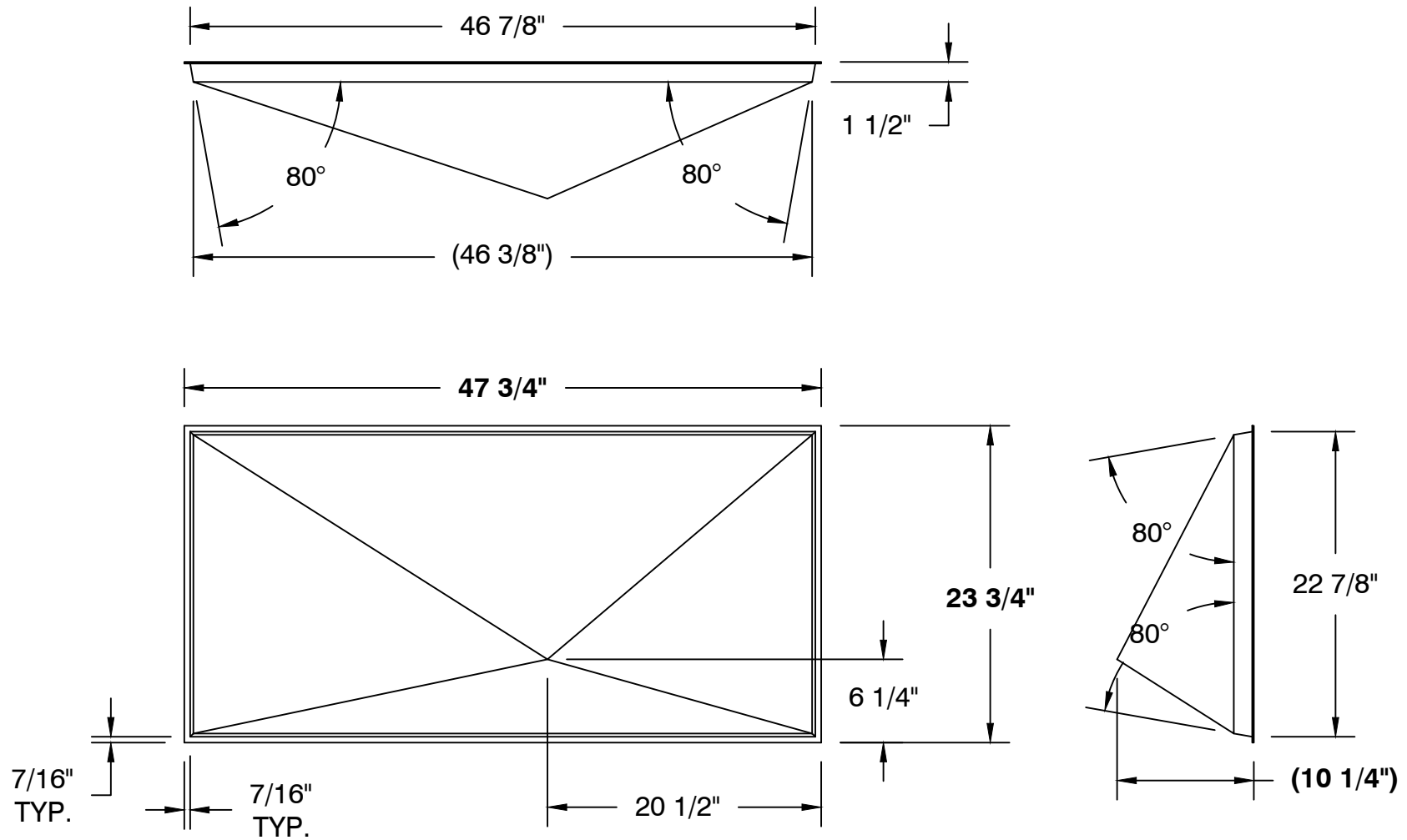


THIS DRAWING AND ALL INFORMATION CONTAINED HEREIN IS AND REMAINS THE PROPERTY OF CONWED DESIGNSCAPE / WALL TECHNOLOGY AND IS CONFIDENTIAL. IT IS SUBMITTED AND MAY BE USED ONLY IN CONNECTION WITH CONWED DESIGNSCAPE / WALL TECHNOLOGY'S PROPOSAL AND/OR ITS CUSTOMERS ORDERS. IT SHALL NOT BE DISCLOSED TO OTHERS OR COPIED WITHOUT CONWED DESIGNSCAPE / WALL TECHNOLOGY'S SPECIFIC WRITTEN CONSENT AND SHALL BE IMMEDIATELY RETURNED UPON REQUEST.



NOTES:  
1. 10° DRAFT AT PANEL BACK



**Conwed | Wall Technology**  
designscape

800 Gustafson Rd., Ladysmith, WI 54848  
phone: 800.932.2383 - fax: 800.833.4798  
www.conweddesignscape.com

TITLE: <b>Standard Lay-in Pyramidal</b>	
DWG NO. 2'-0" x 4'-0"	
DRAWN BY <b>CAB</b>	SHEET 1 OF 1
SCALE N.T.S.	DATE: 12/01/05