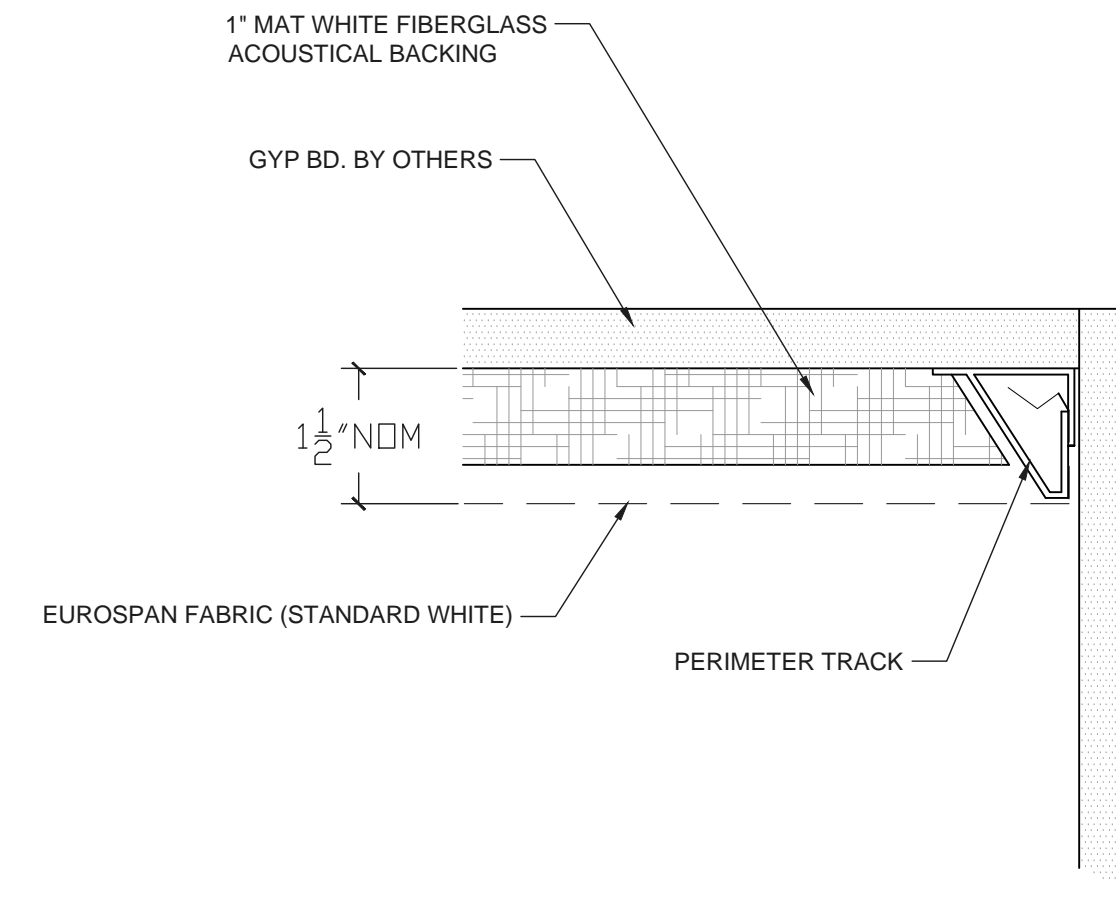
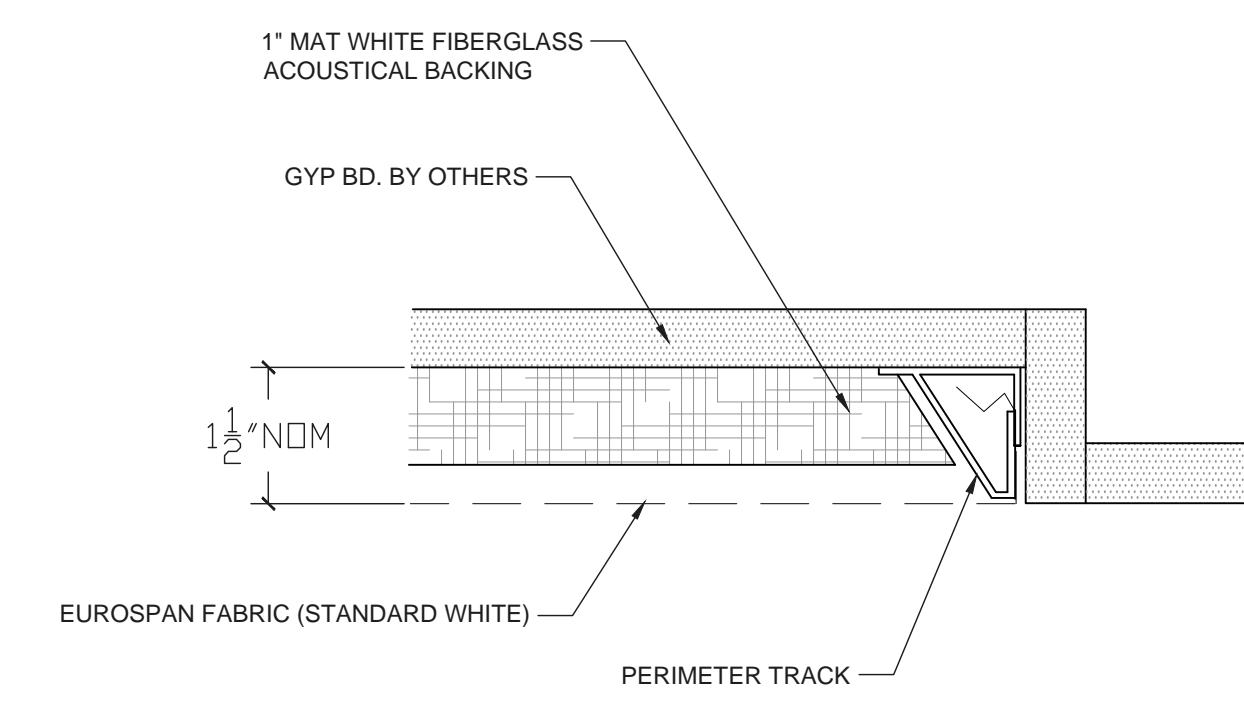


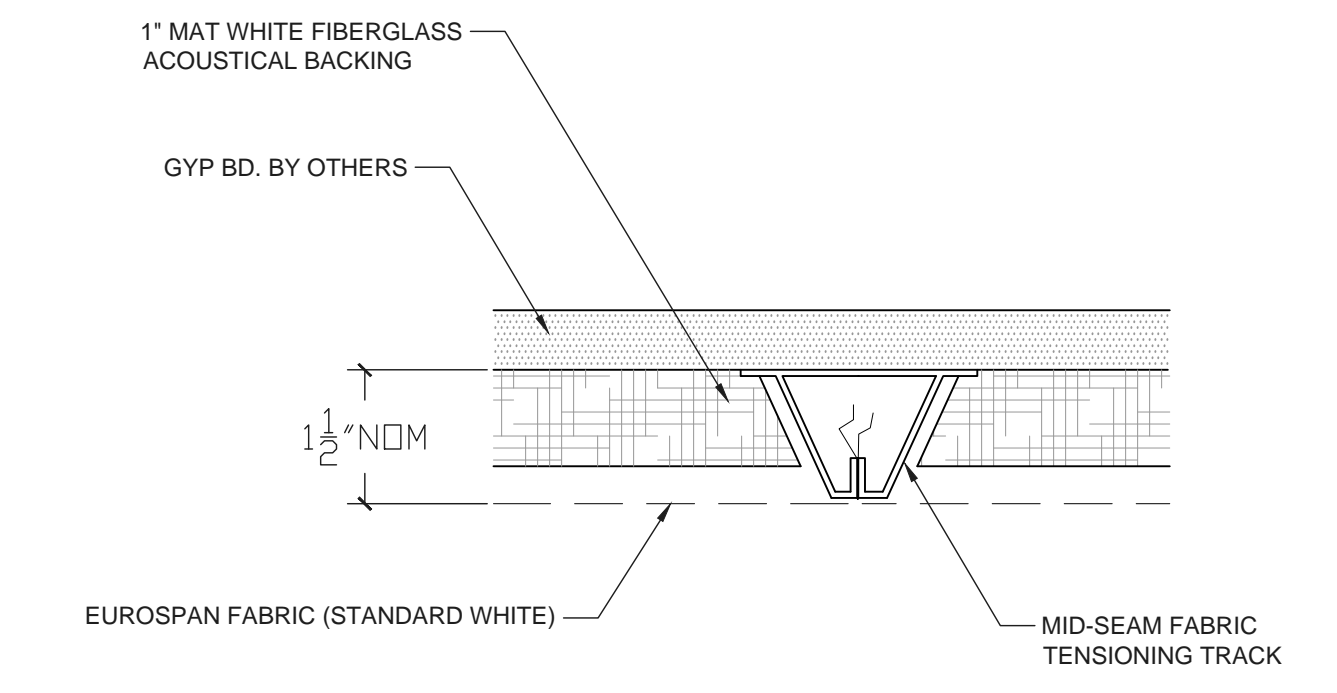
A TYPICAL @ RETURN PERIMETER EUROSPAN® CEILING / CLOUD
1.5GYP (STL FRAMING) HALF SCALE



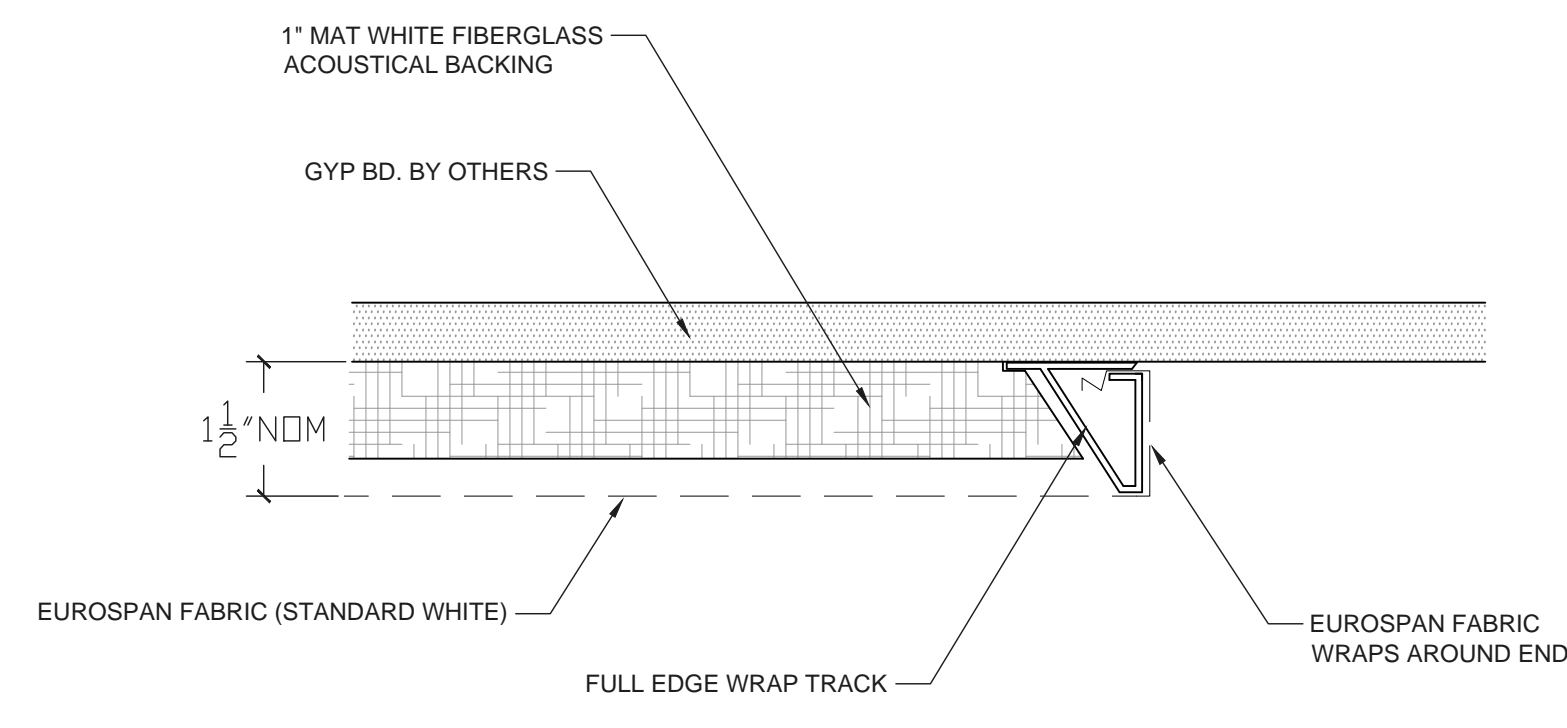
B EDGE AT WALL/SOFFIT
1.5GYP HALF SCALE



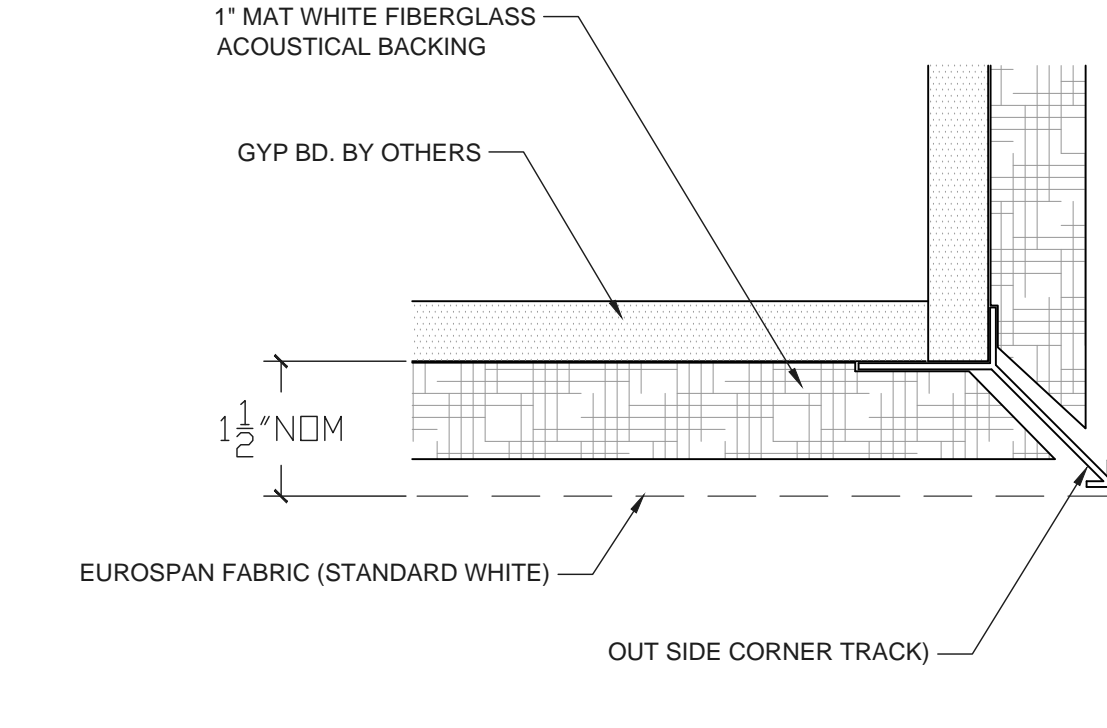
C FLUSH MOUNT DETAIL
1.5GYP HALF SCALE



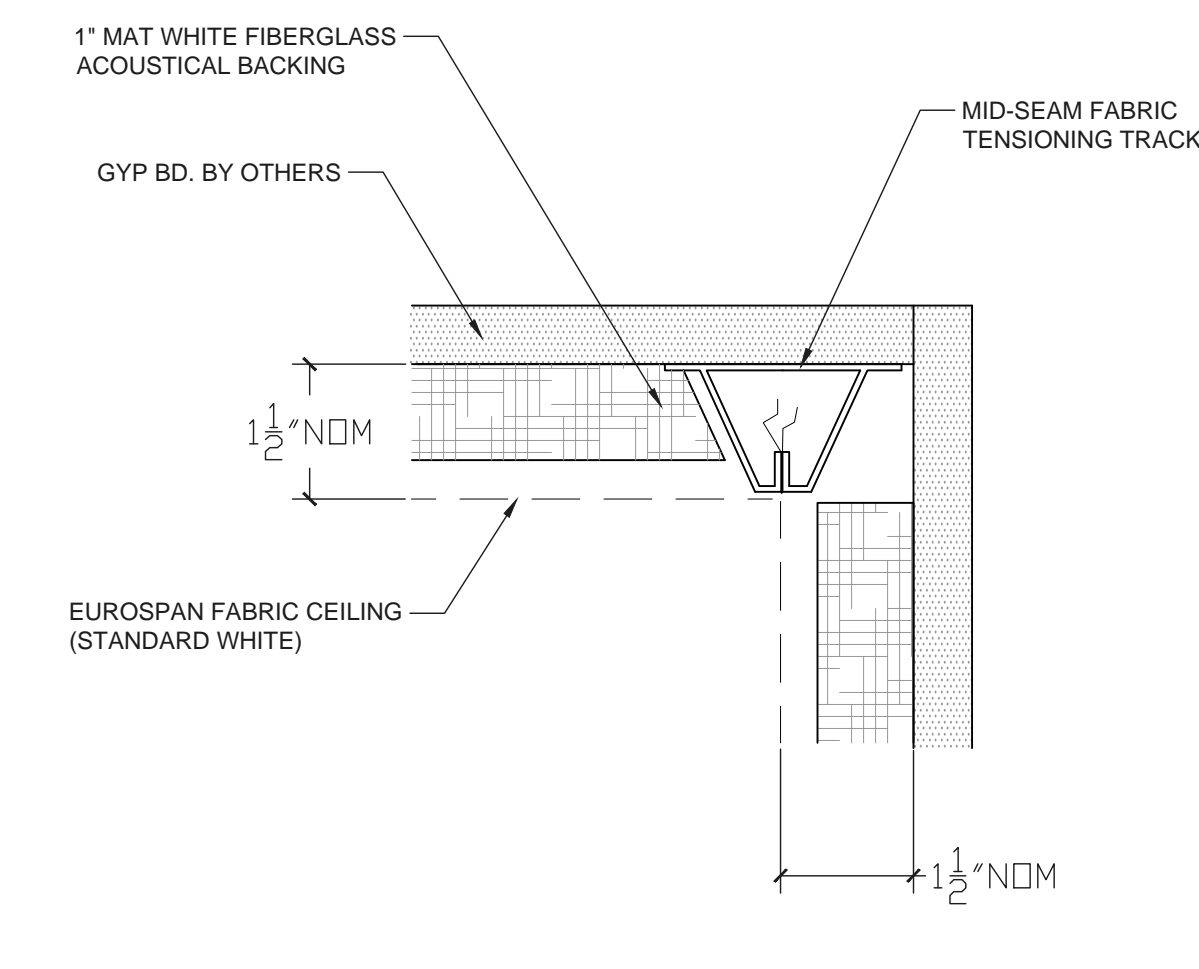
D TYPICAL MID SEAM JOINT
1.5GYP HALF SCALE



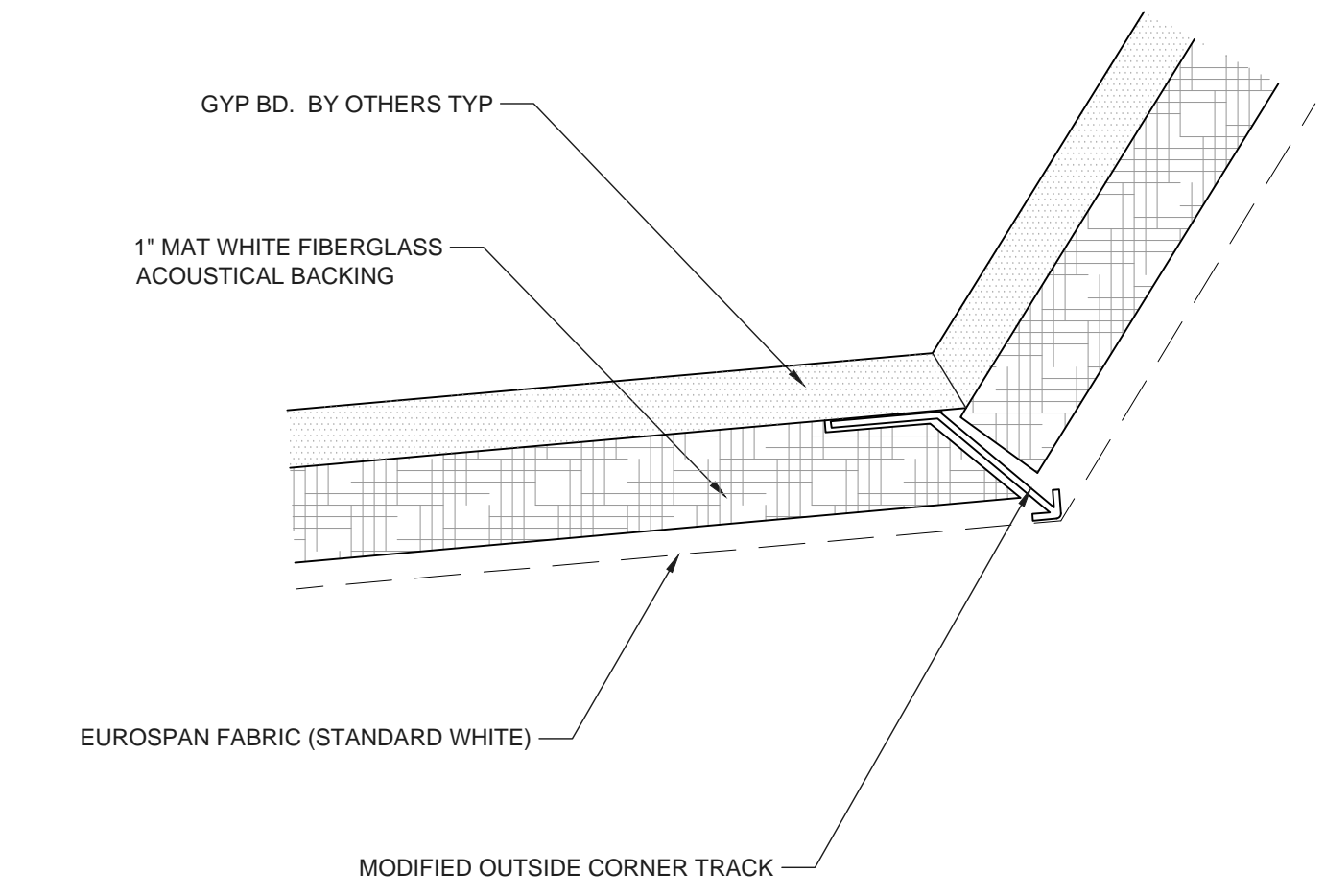
E FULL EDGE WRAP FINISHED END
1.5GYP HALF SCALE



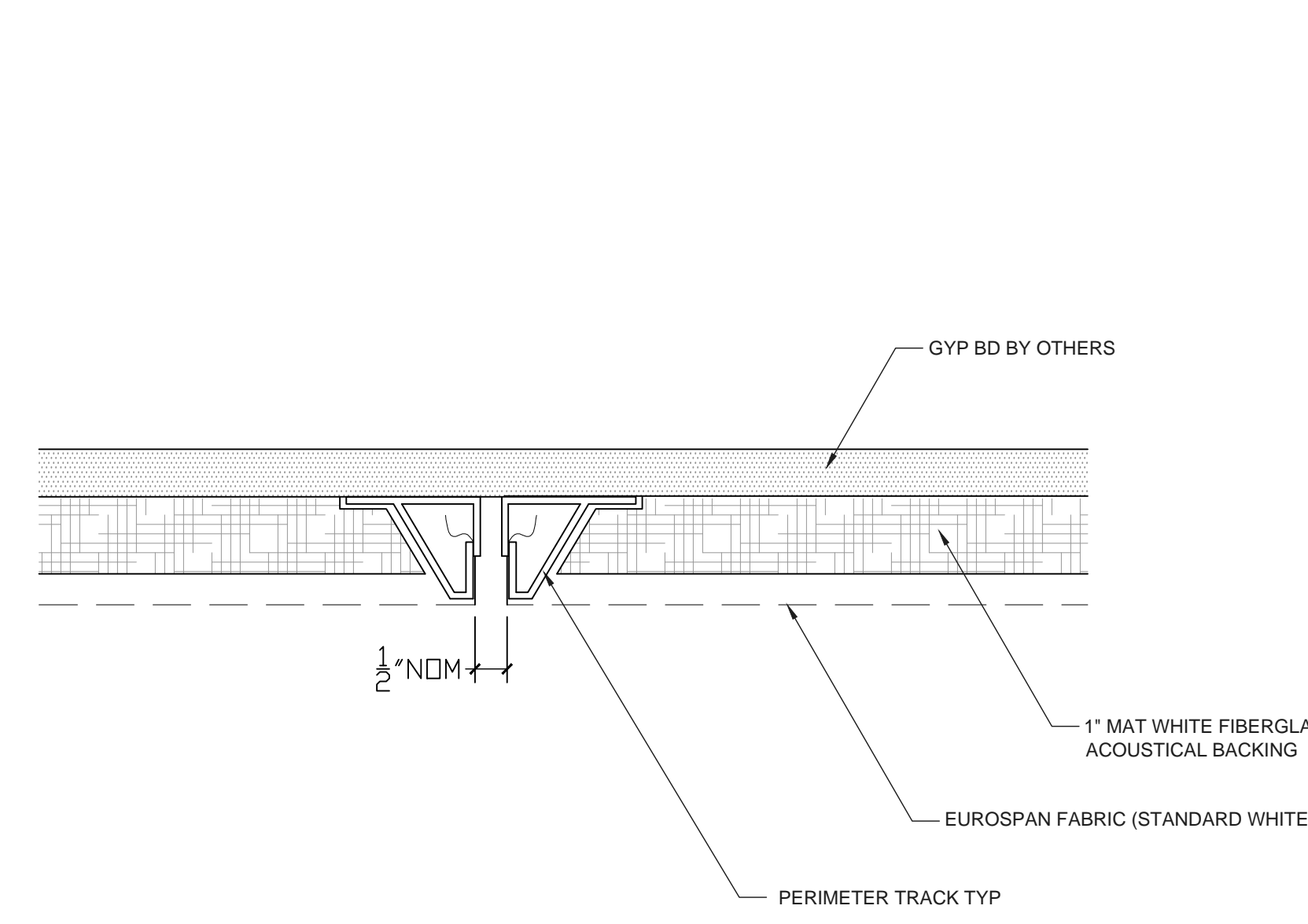
F OUTSIDE CORNER DETAIL
1.5GYP HALF SCALE



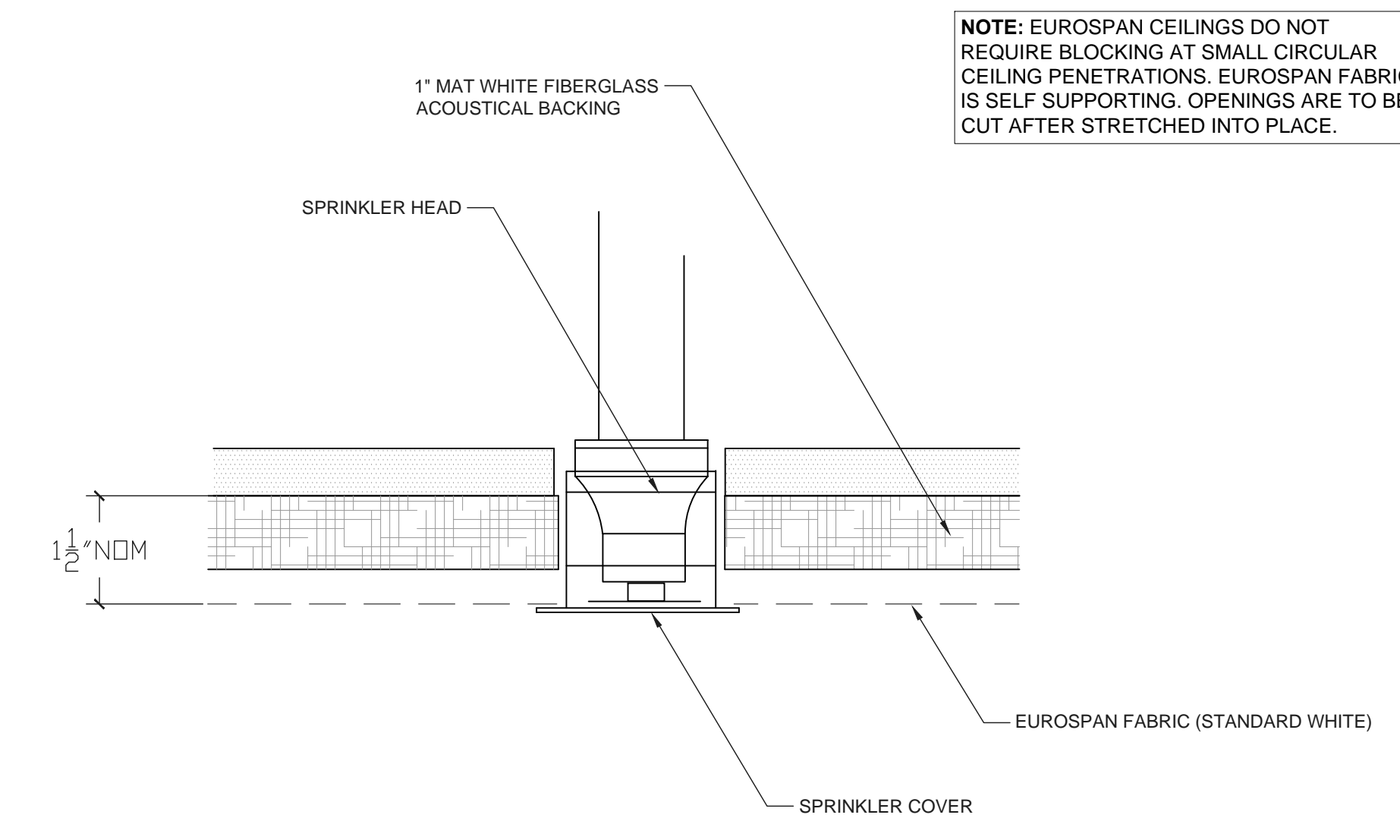
G INSIDE CORNER DETAIL
1.5GYP HALF SCALE



H TYPICAL @ PLANE CHANGE
1.5GYP HALF SCALE

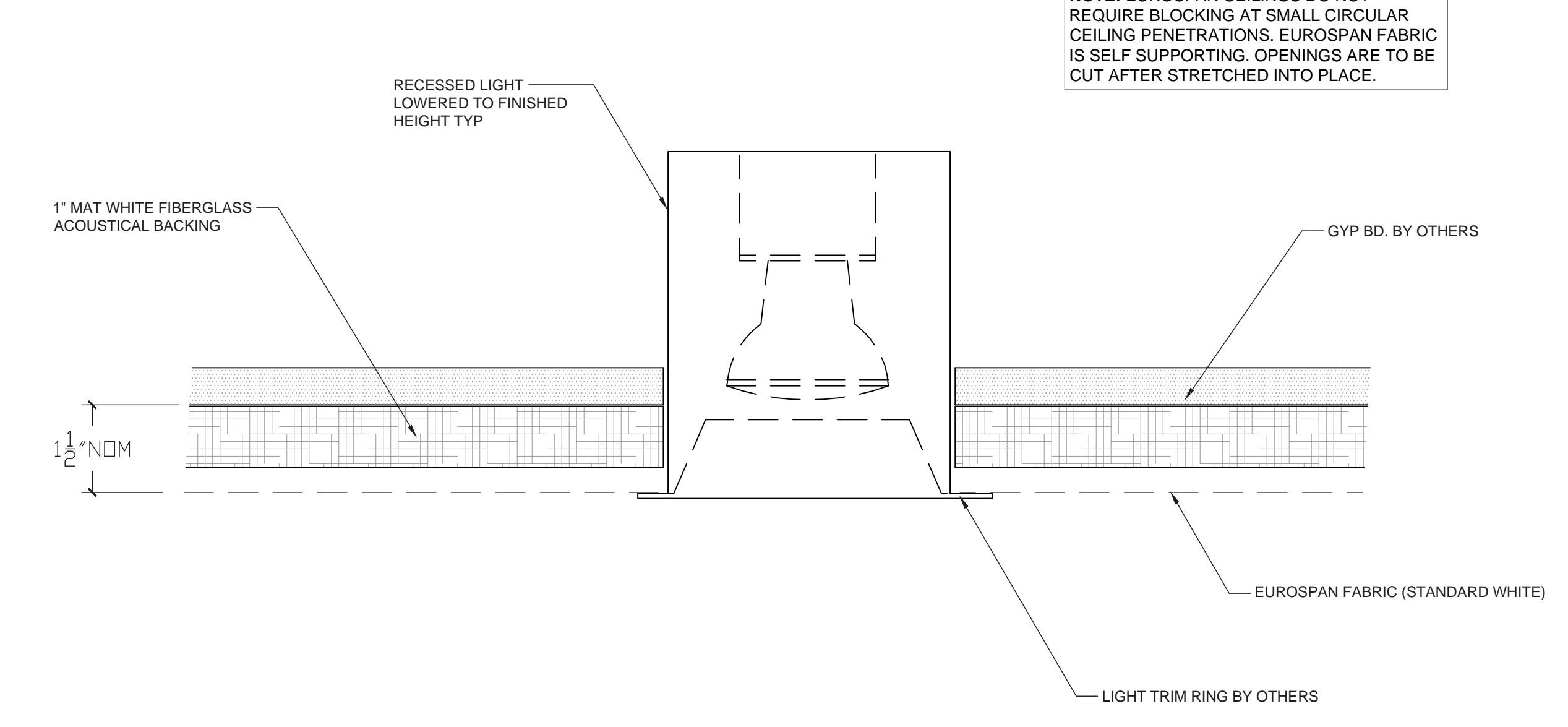


I TYPICAL @ REVEAL JOINT
1.5GYP HALF SCALE



J TYPICAL @ SPRINKLER HEAD
1.5GYP HALF SCALE

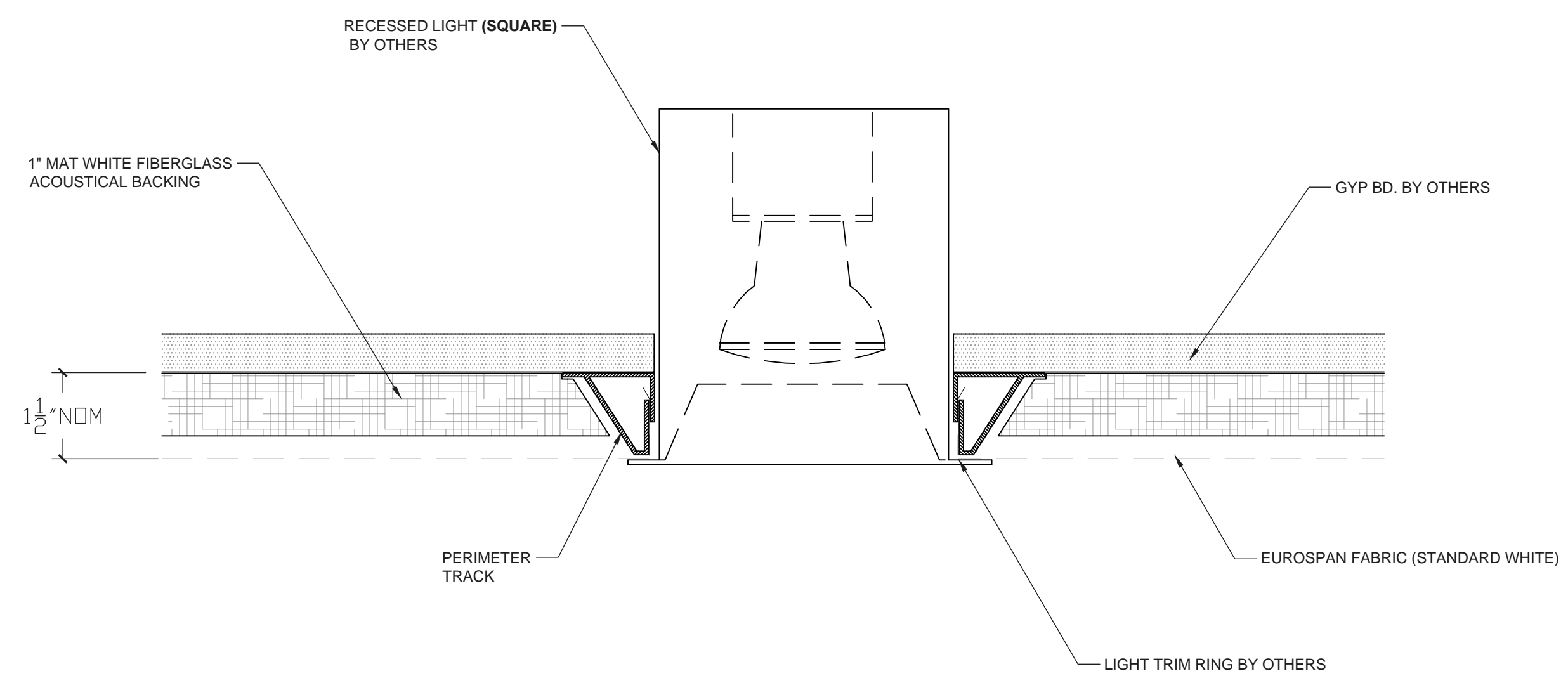
NOTE: EUROSPAN CEILINGS DO NOT REQUIRE BLOCKING AT SMALL CIRCULAR CEILING PENETRATIONS. EUROSPAN FABRIC IS SELF SUPPORTING. OPENINGS ARE TO BE CUT AFTER STRETCHED INTO PLACE.



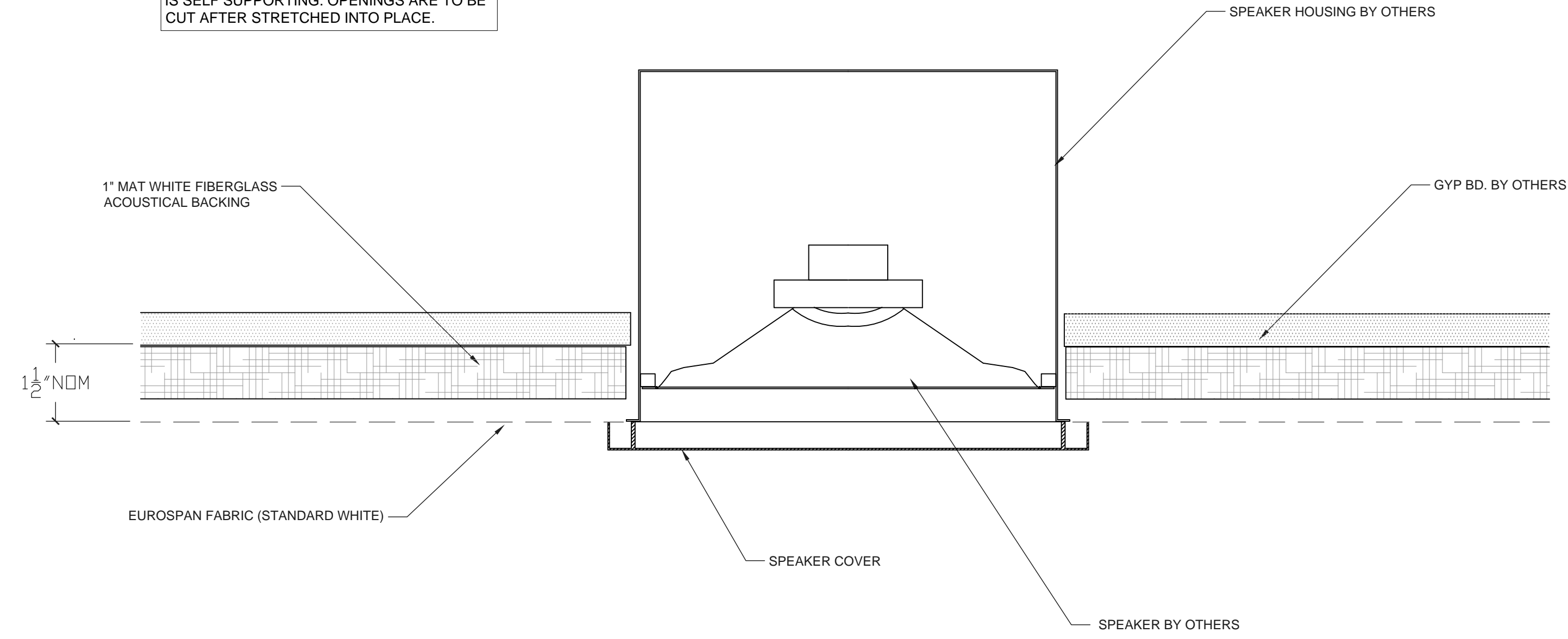
K EUROSPAN® @ TYPICAL RECESSED LIGHT
1.5GYP HALF SCALE

NOTE: EUROSPAN CEILINGS DO NOT REQUIRE BLOCKING AT SMALL CIRCULAR CEILING PENETRATIONS. EUROSPAN FABRIC IS SELF SUPPORTING. OPENINGS ARE TO BE CUT AFTER STRETCHED INTO PLACE.

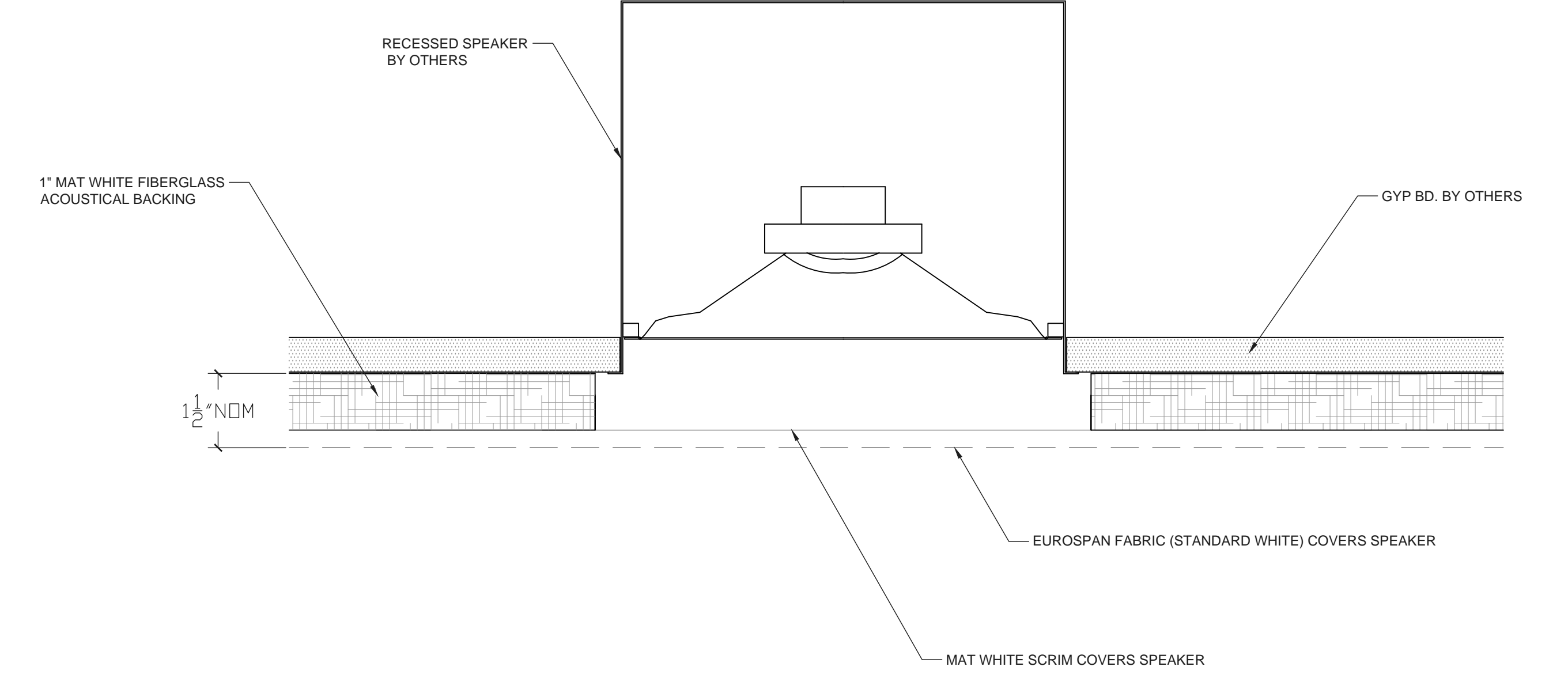
NOTE: EUROSPAN CEILINGS DO NOT REQUIRE BLOCKING AT SMALL CIRCULAR CEILING PENETRATIONS. EUROSPAN FABRIC IS SELF SUPPORTING. OPENINGS ARE TO BE CUT AFTER STRETCHED INTO PLACE.



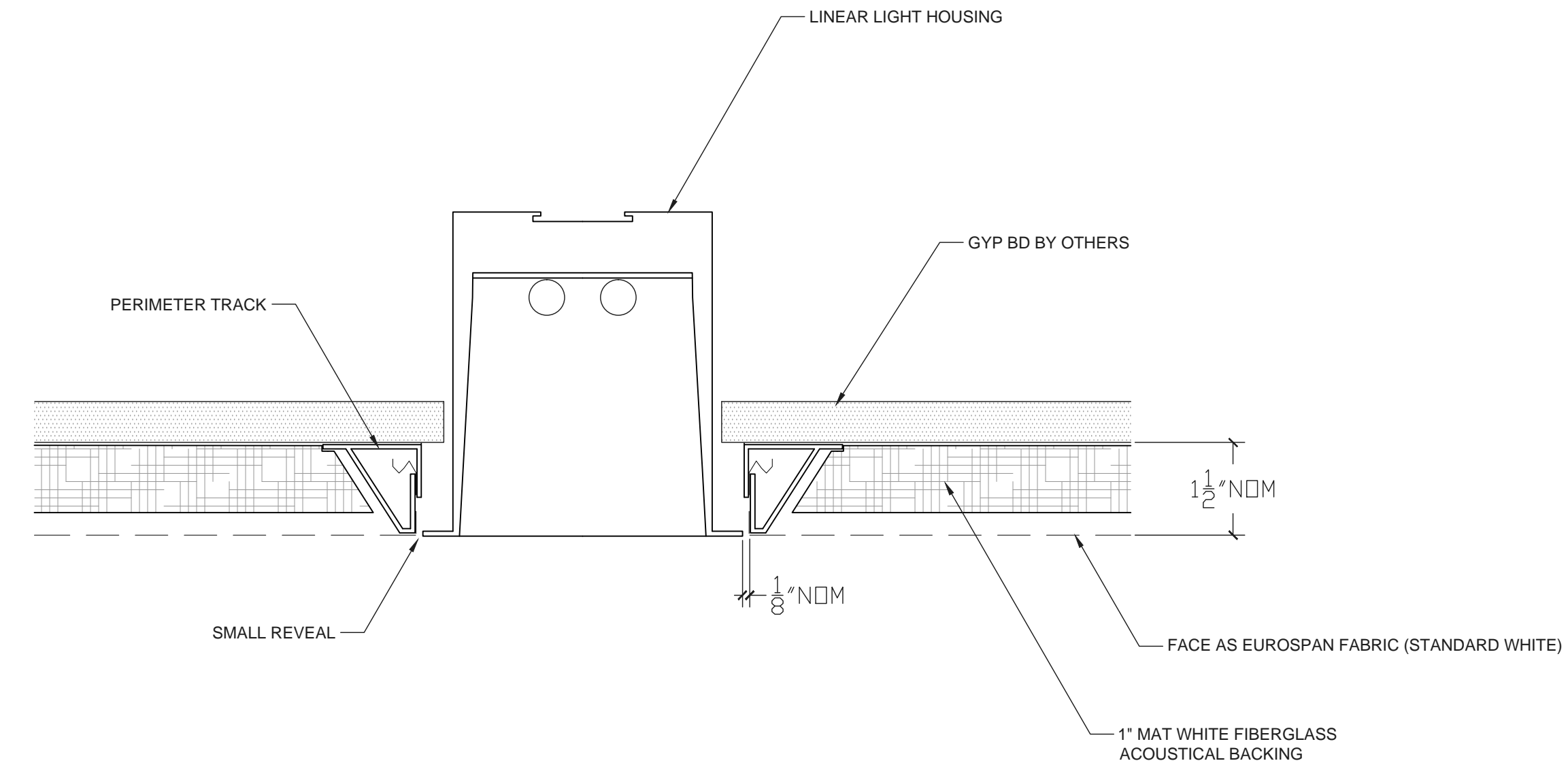
L EUROSPAN® @ TYPICAL RECESSED SQUARE LIGHT
1.5GYP HALF SCALE



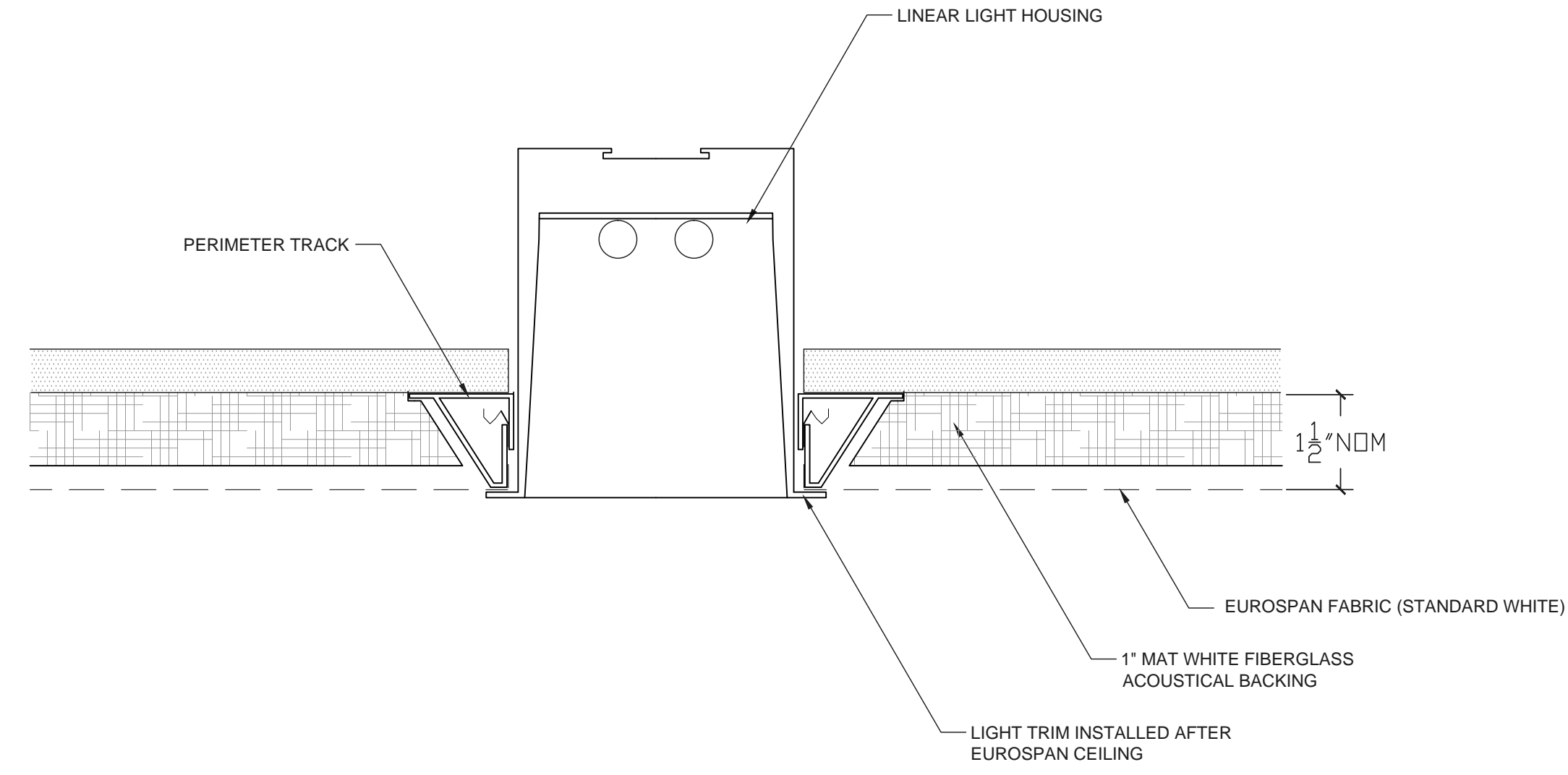
M TYPICAL @ STANDARD SPEAKER
1.5GYP HALF SCALE



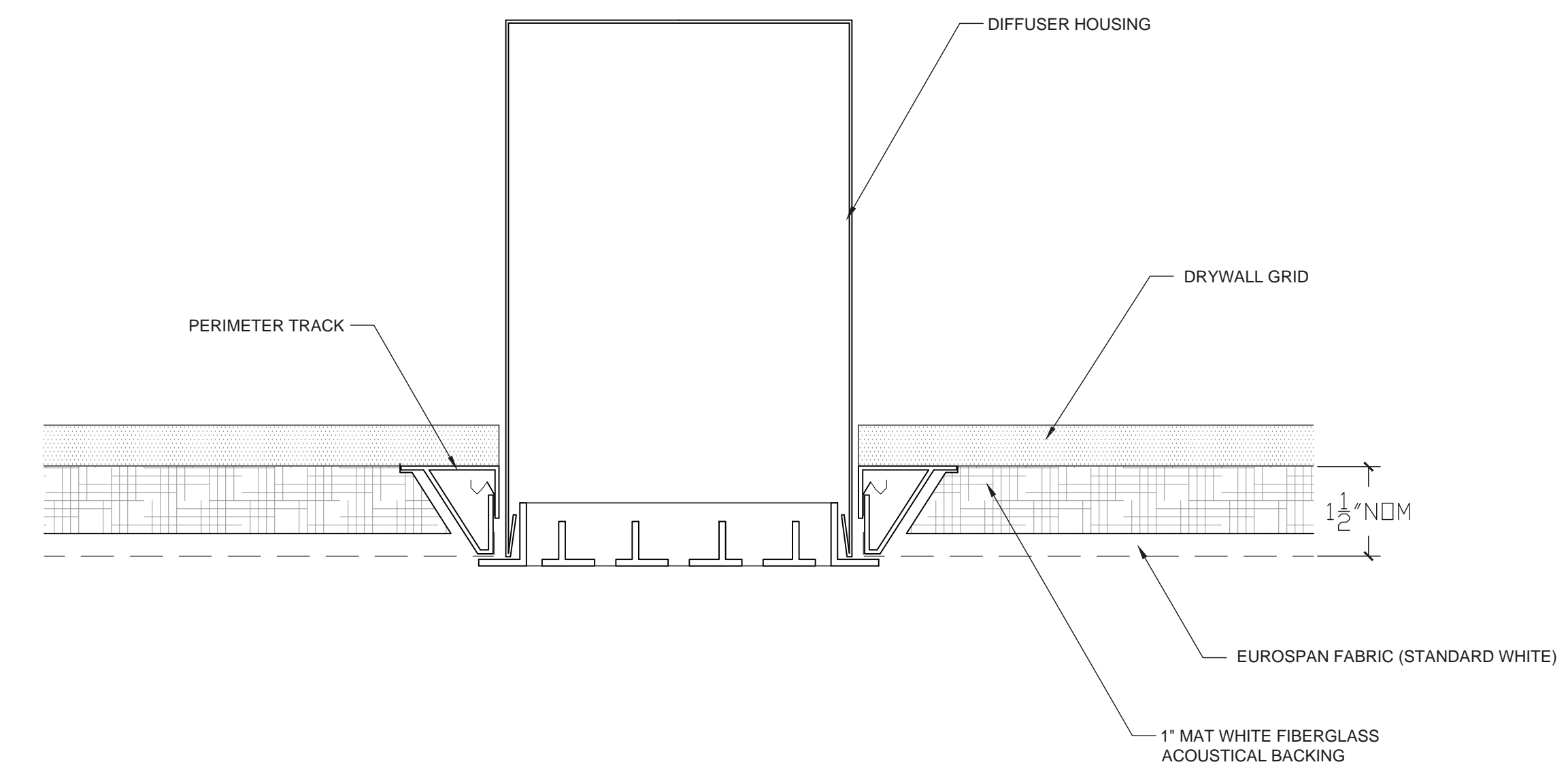
N TYPICAL @ HIDDEN SPEAKER LOCATION
1.5GYP HALF SCALE



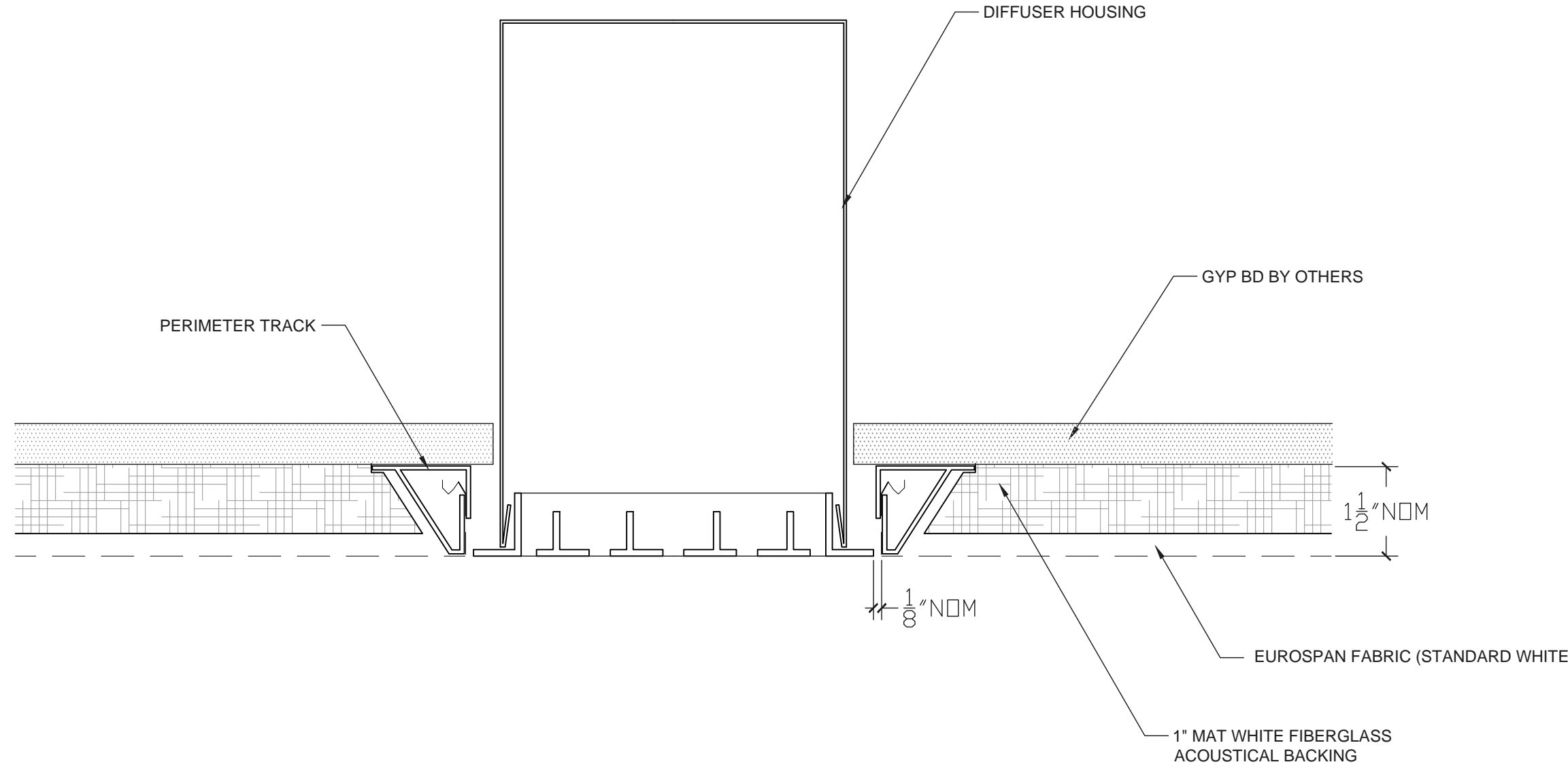
O TYPICAL @ LINEAR LIGHT UP TO TRIM FLANGE TYP
1.5GYP HALF SCALE



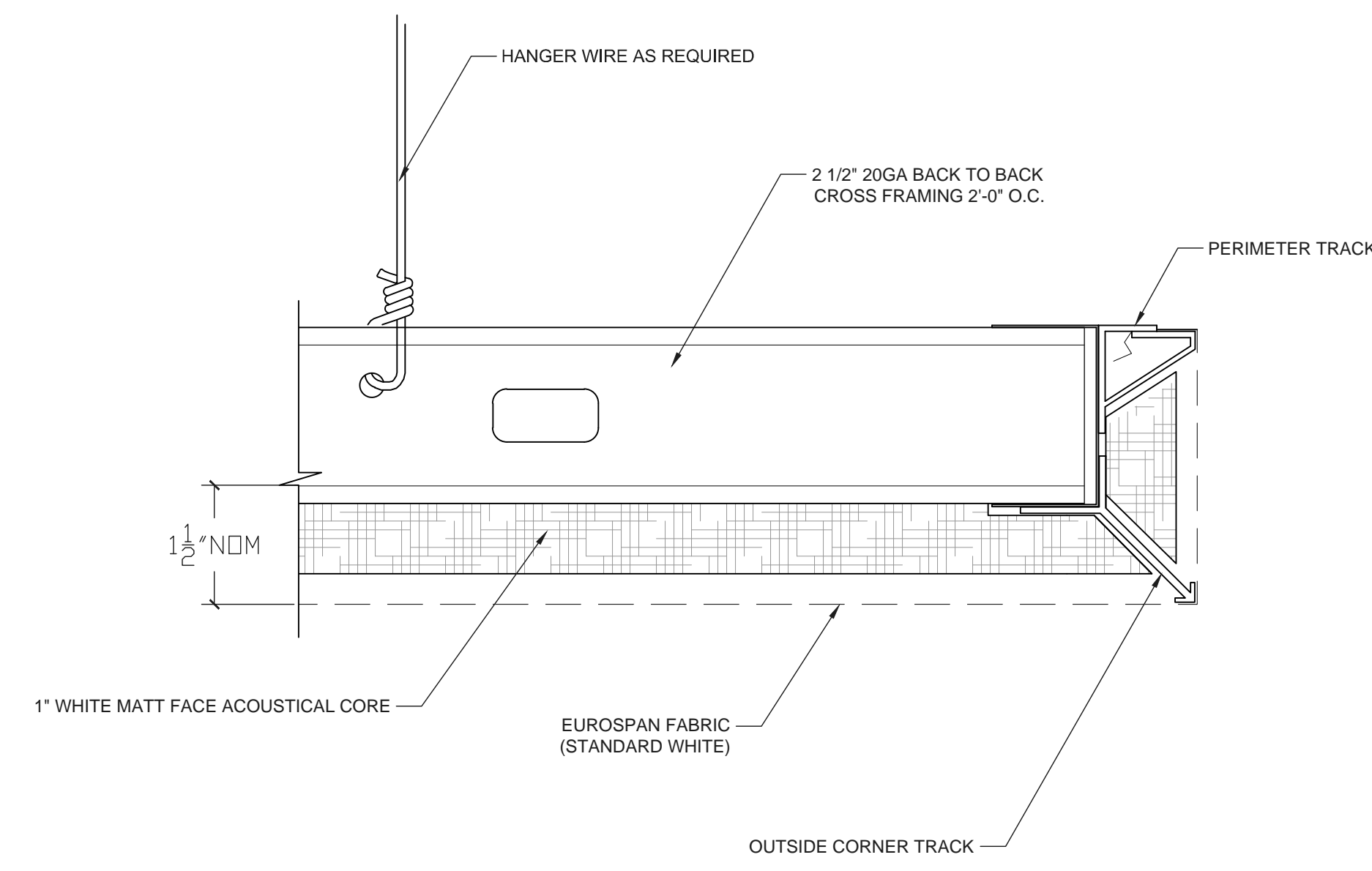
P LINEAR LIGHT TRIM FLANGE OVER EUROSPAN®
1.5GYP HALF SCALE



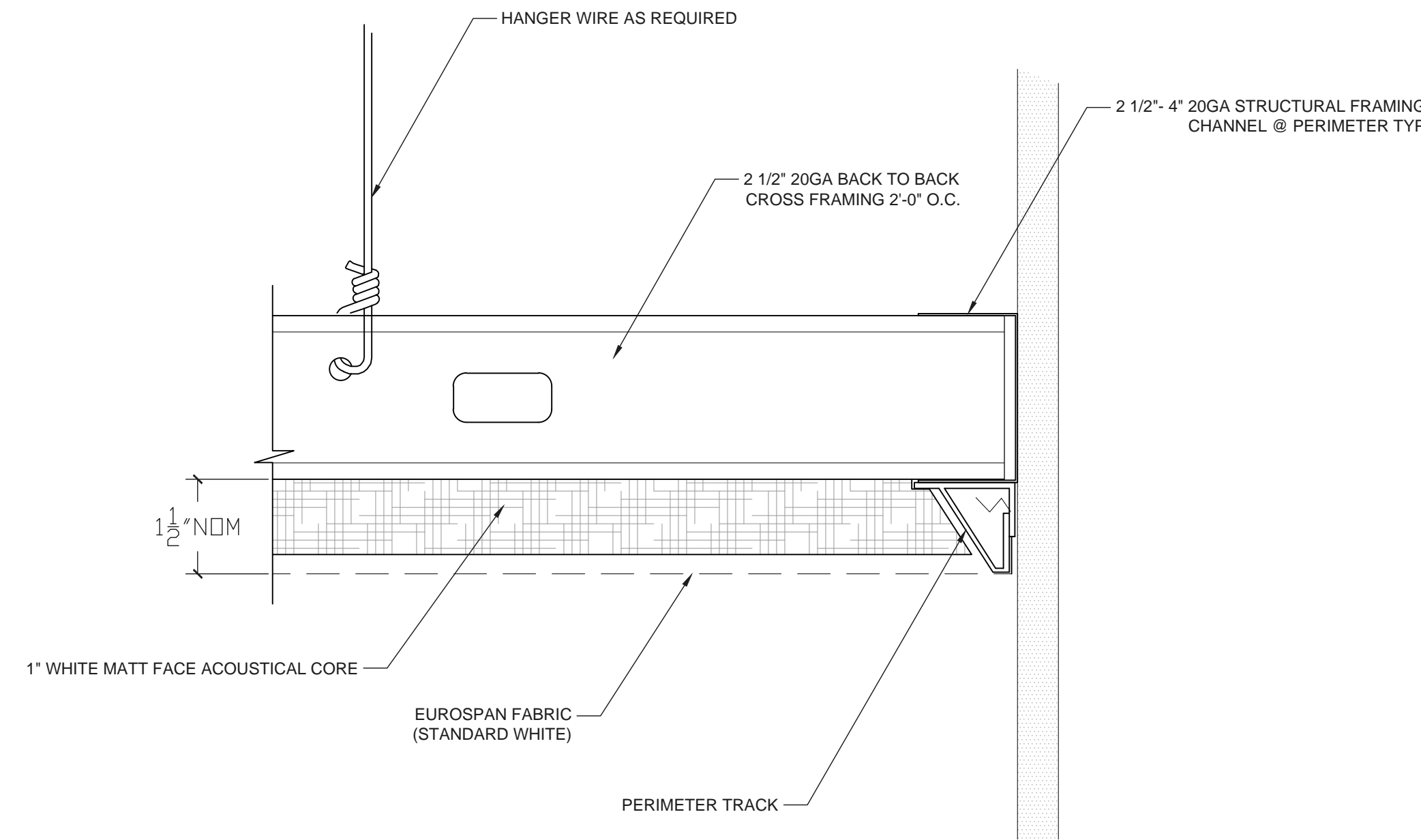
Q TYPICAL @ LINEAR AIR DIFFUSER TRIM FLANGE OVER EUROSPAN®
1.5GYP HALF SCALE



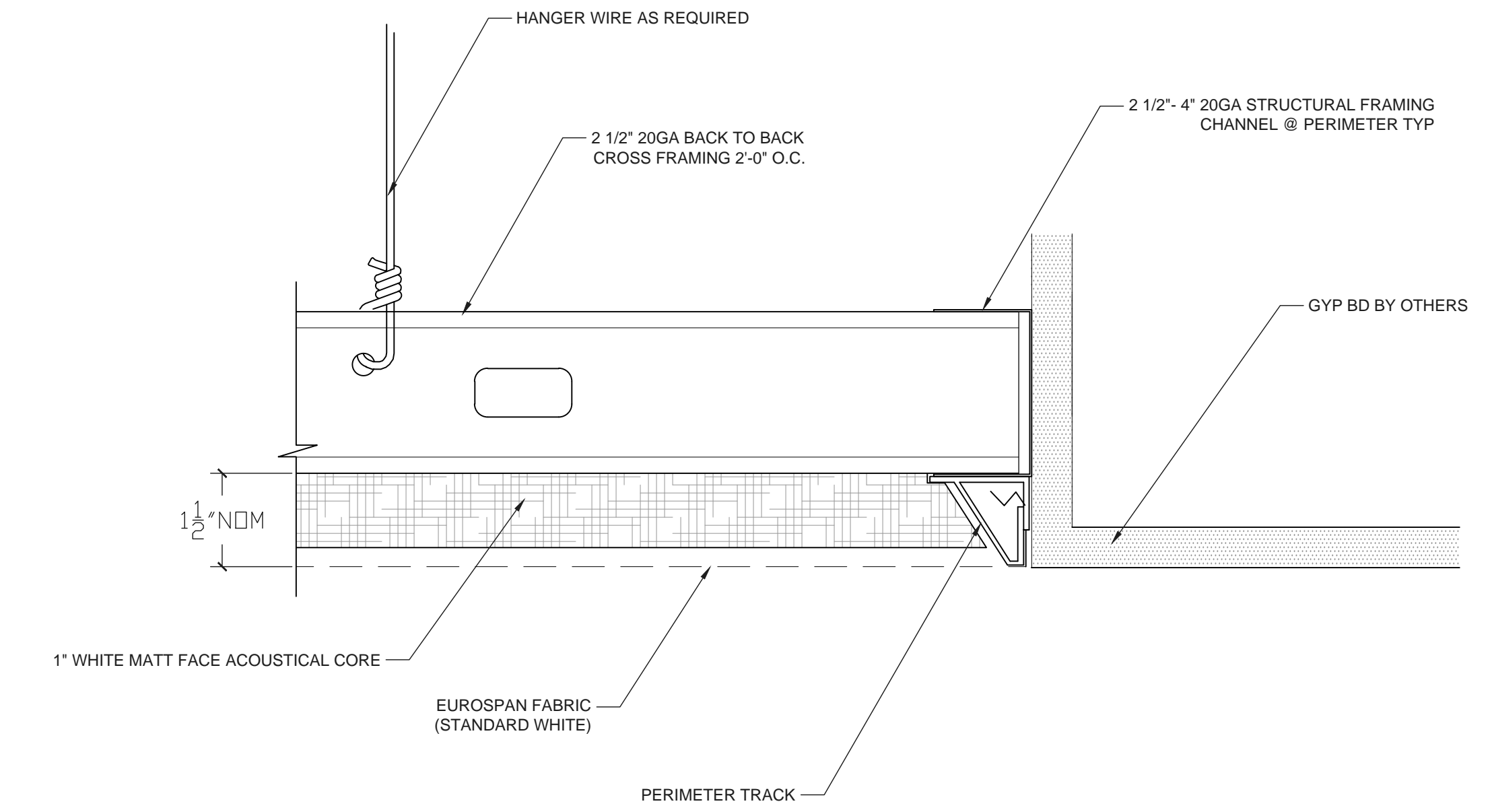
R TYPICAL @ LINEAR AIR DIFFUSER UP TO TRIM FLANGE TYP
1.5GYP HALF SCALE



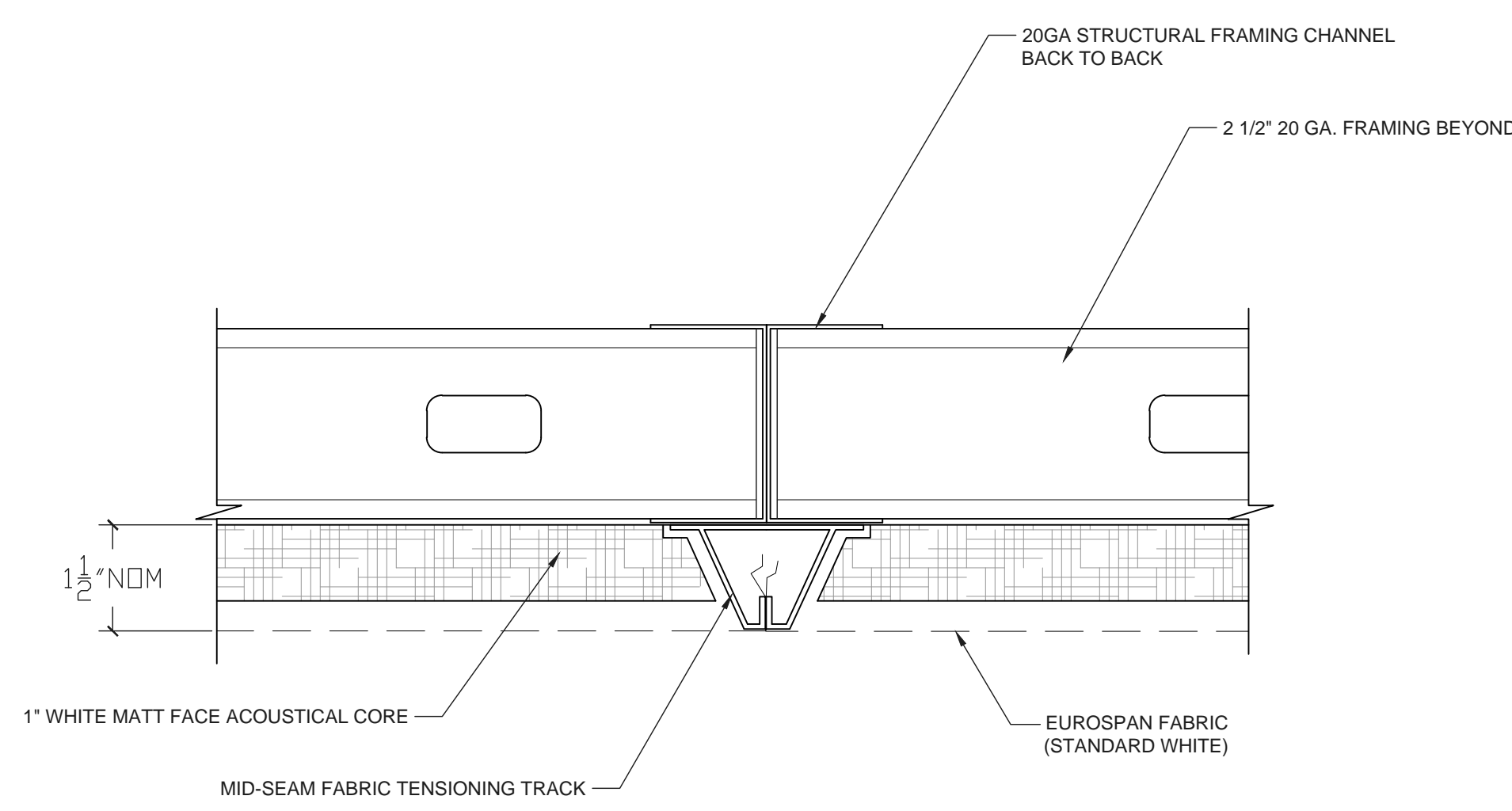
A TYPICAL @ RETURN PERIMETER EUROSPAN® CEILING / CLOUD
(1.5FRM) (STL FRAMING) HALF SCALE



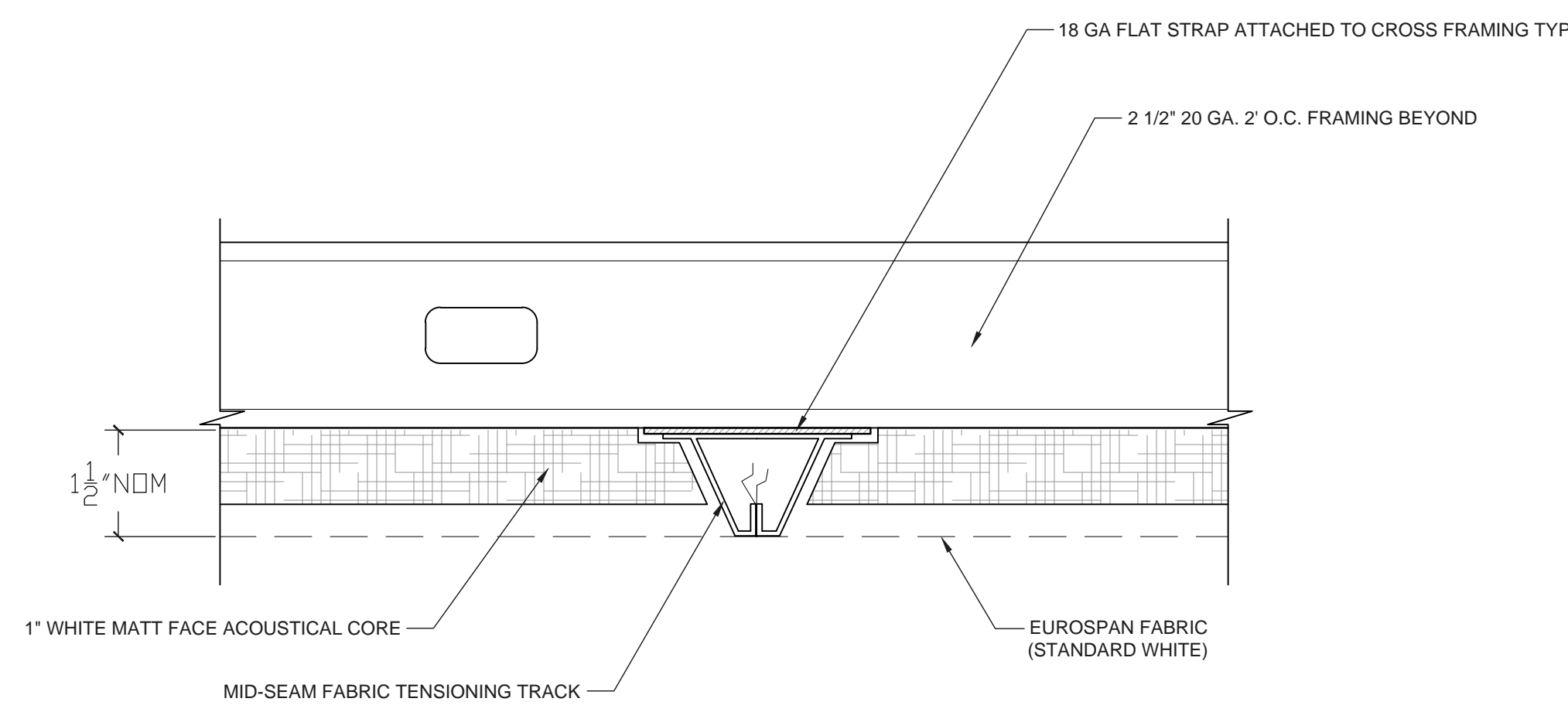
B TYPICAL @ PERIMETER WALL
(1.5FRM) (STL FRAMING) HALF SCALE



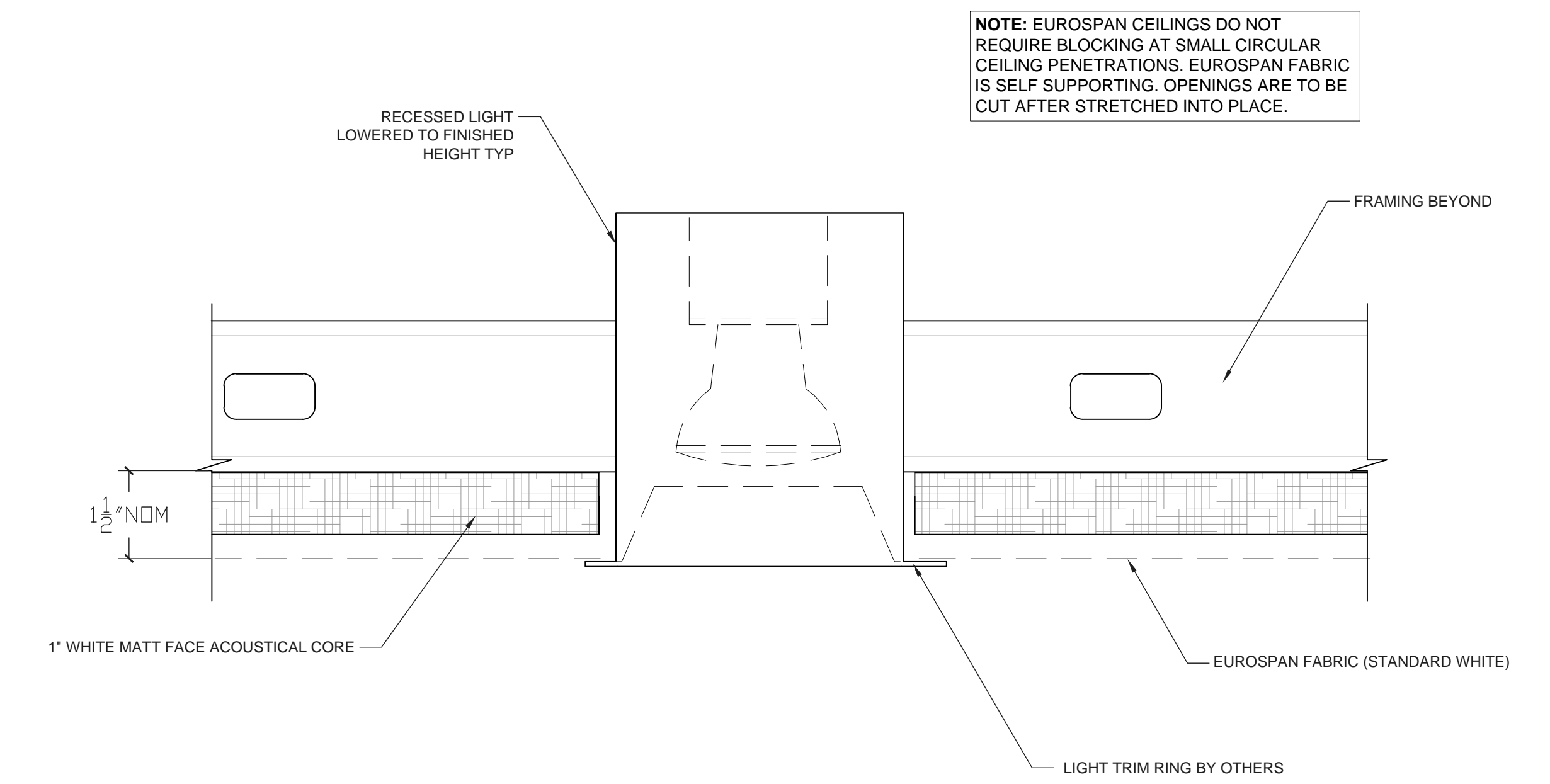
C TYPICAL @ FLUSH CEILING TRANSITION
(1.5FRM) (STL FRAMING) HALF SCALE



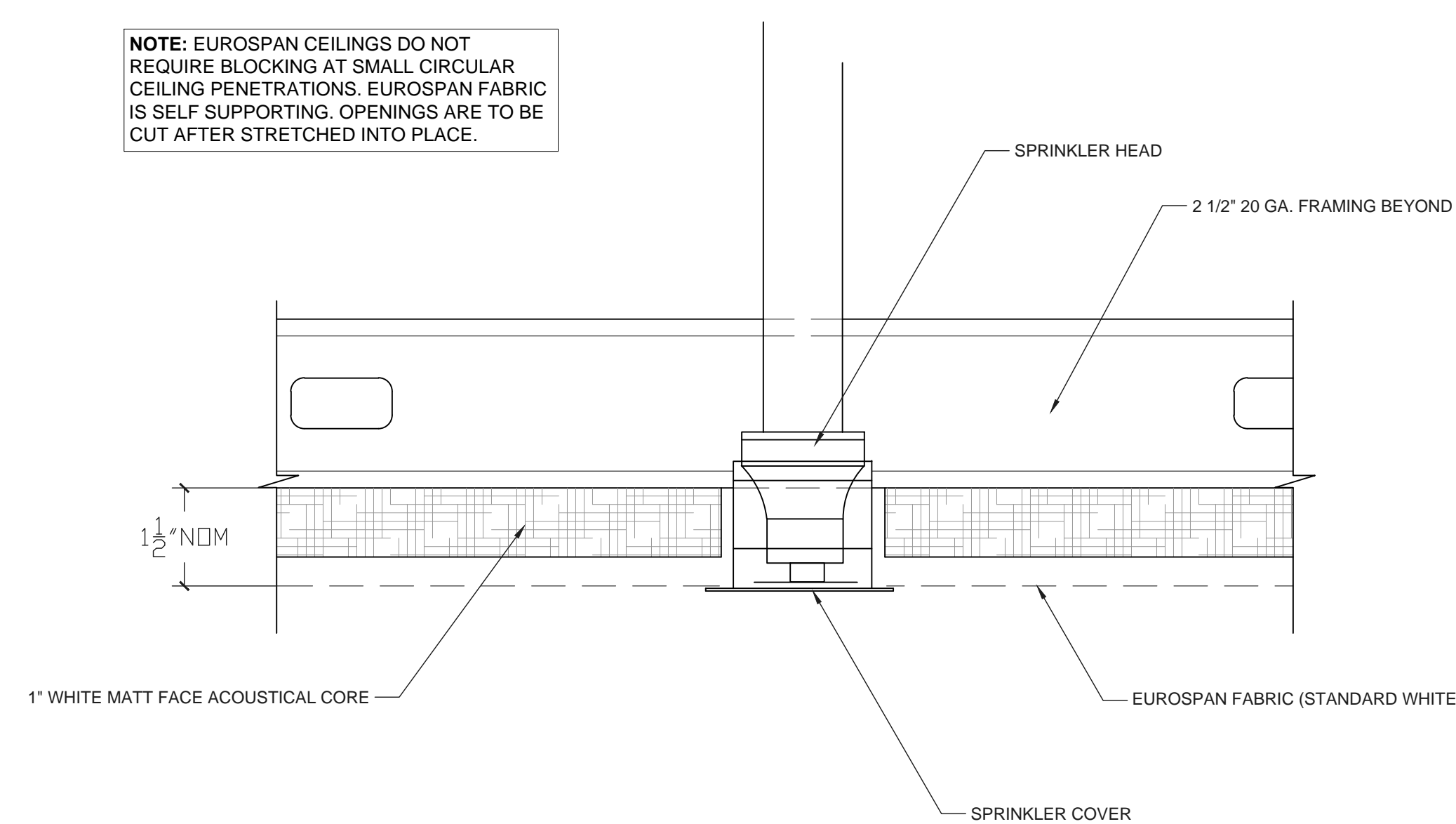
D TYPICAL @ MID-SEAM EUROSPAN® CEILING CLOUD
(1.5FRM) (STL FRAMING) HALF SCALE



E ALTERNATE MID-SEAM EUROSPAN® CEILING CLOUD
(1.5FRM) (STL FRAMING) HALF SCALE

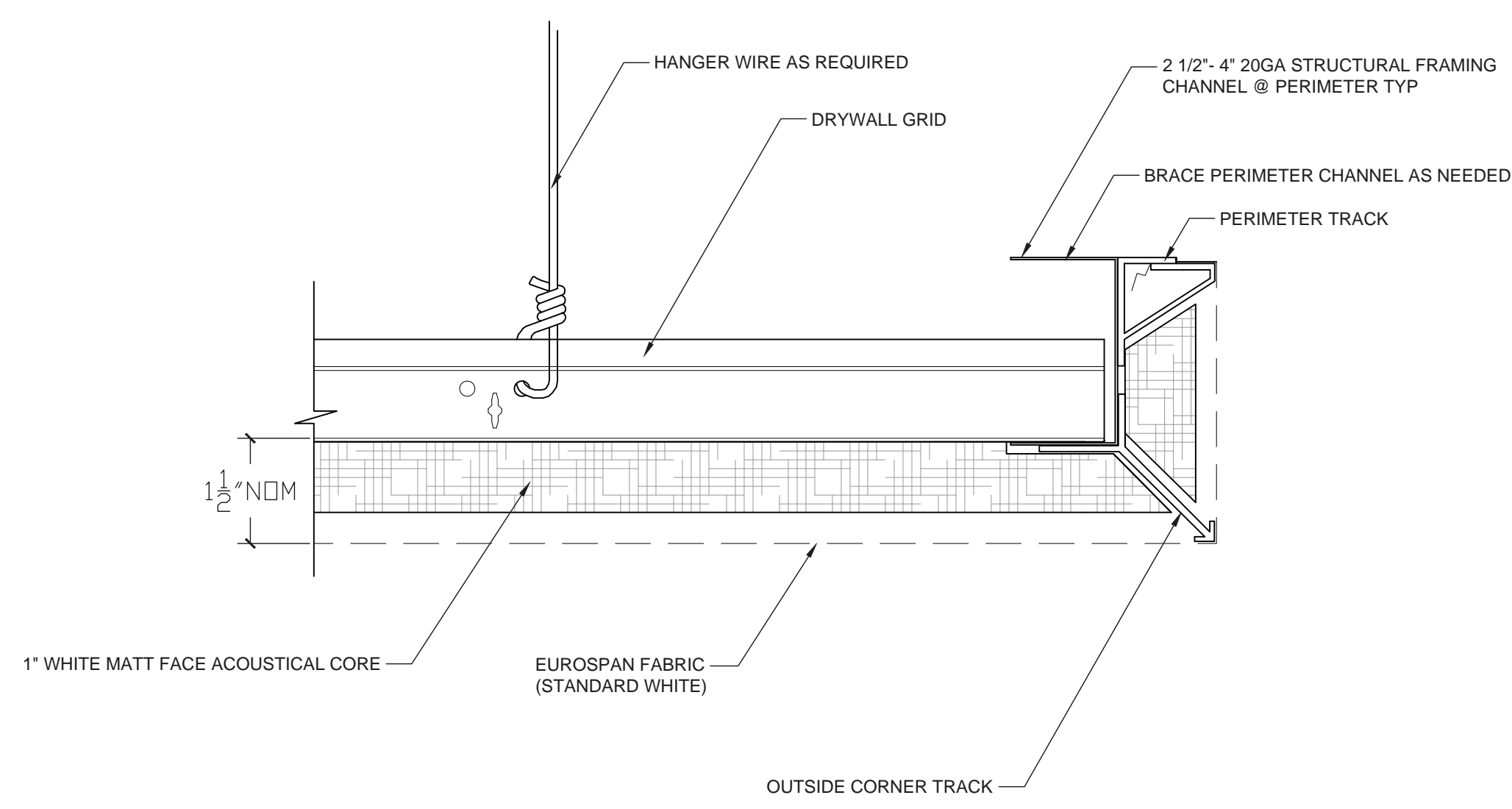


F TYPICAL RECESSED LIGHT
(1.5FRM) (STL FRAMING) HALF SCALE

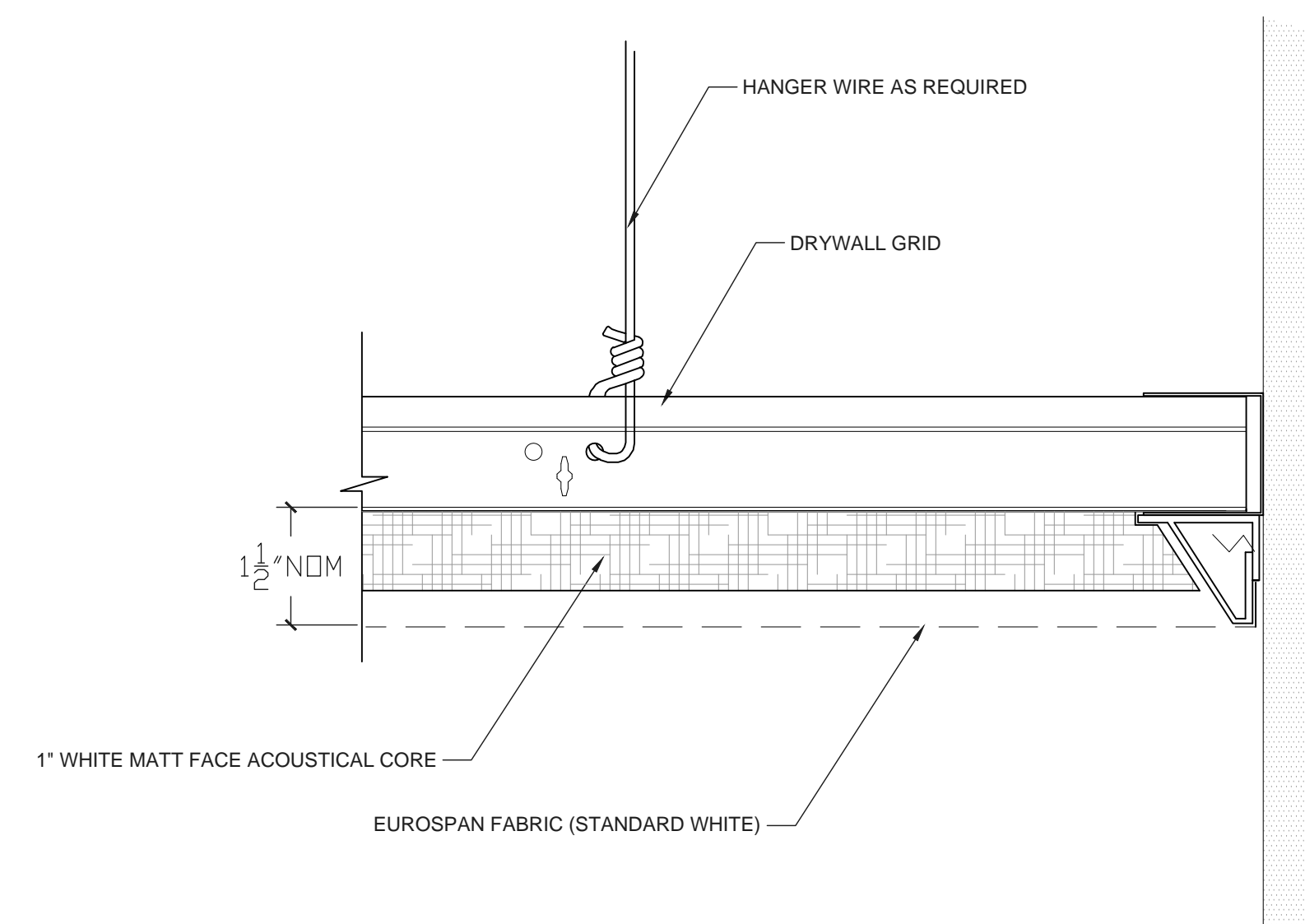


G TYPICAL @ SPRINKLER HEAD
(1.5FRM) (STL FRAMING) HALF SCALE

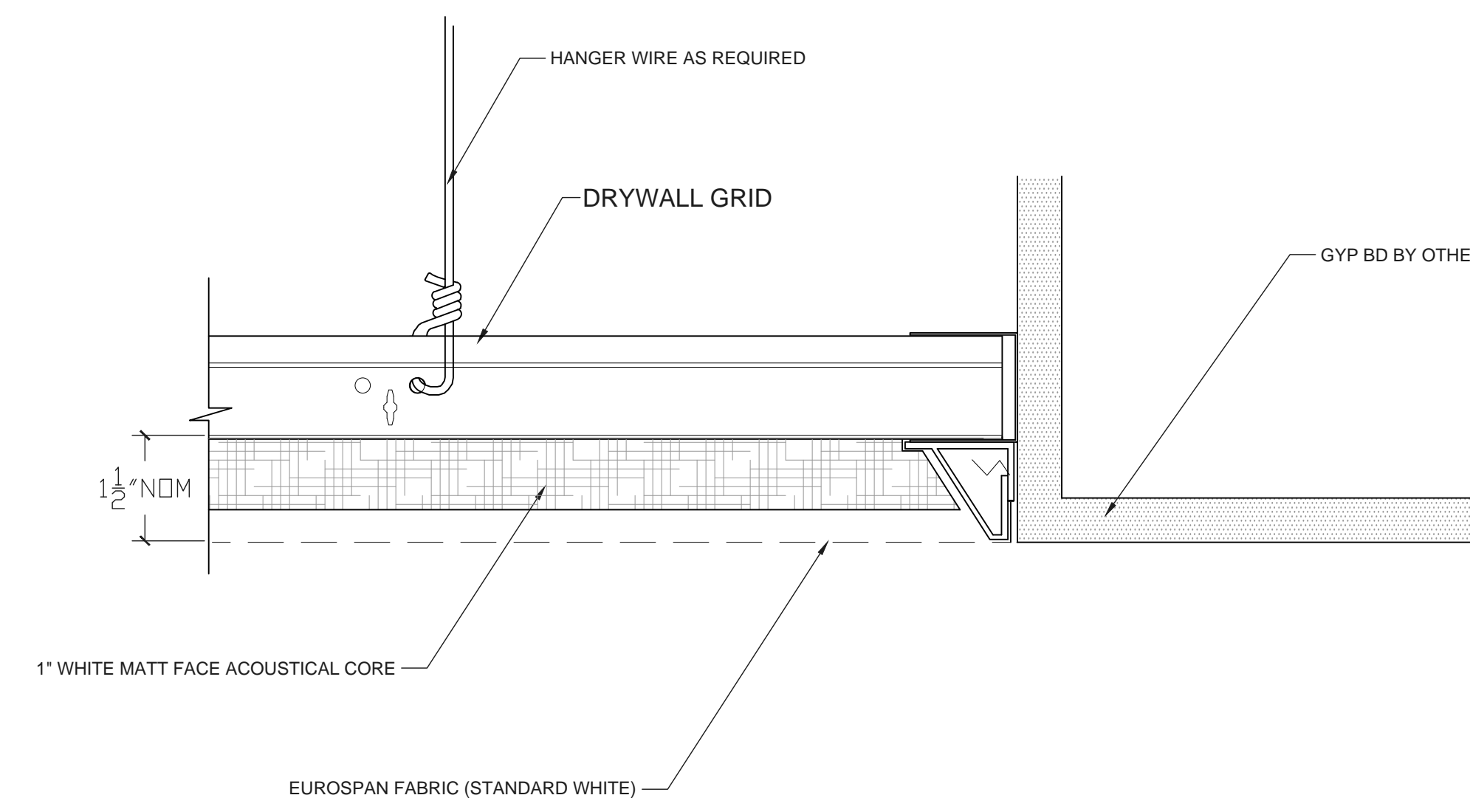
NOTE: EUROSPAN CEILINGS DO NOT REQUIRE BLOCKING AT SMALL CIRCULAR CEILING PENETRATIONS. EUROSPAN FABRIC IS SELF SUPPORTING. OPENINGS ARE TO BE CUT AFTER STRETCHED INTO PLACE.



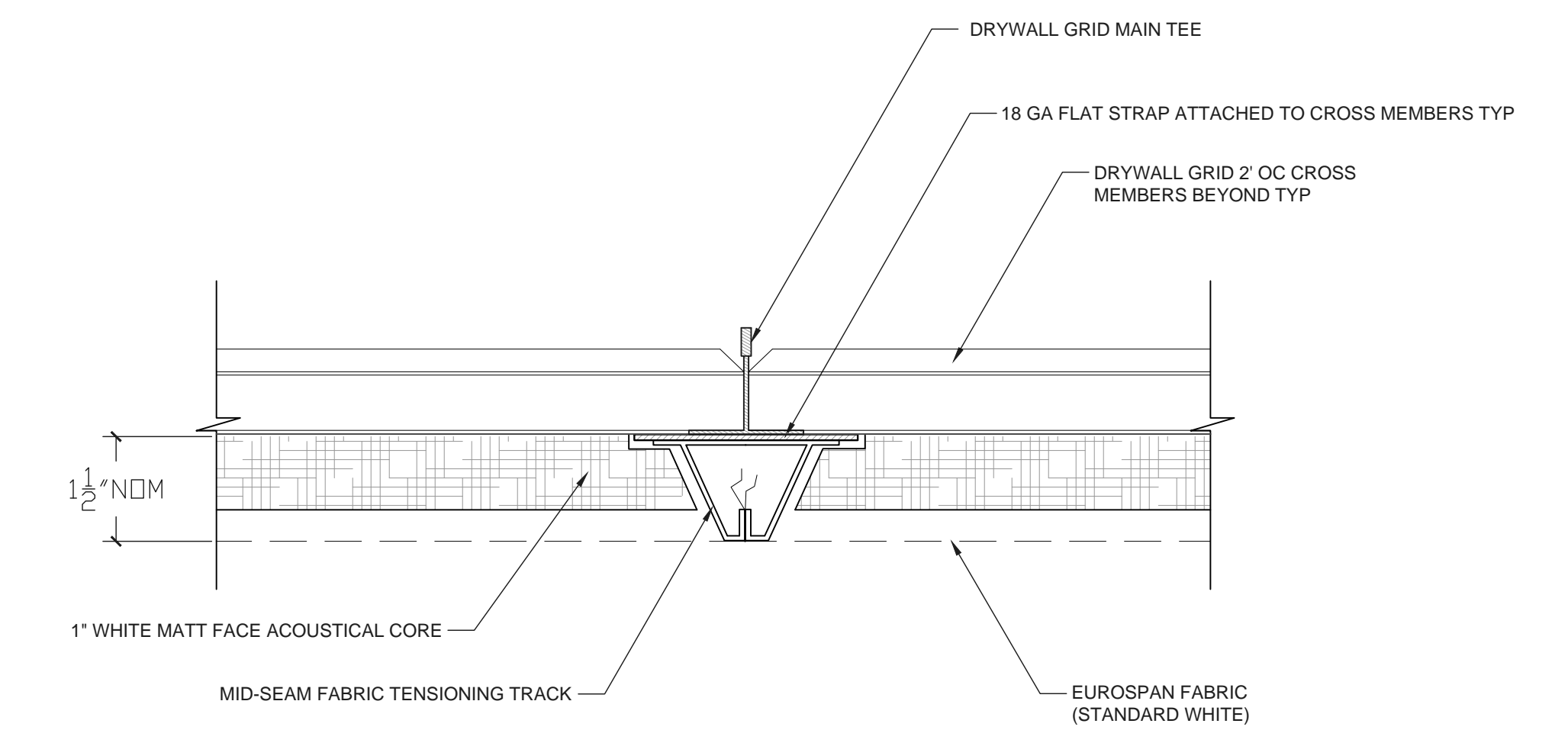
A TYPICAL @ RETURN PERIMETER EUROSPAN® CEILING / CLOUD
 (1.5GRD) (DRY WALL GRID) HALF SCALE



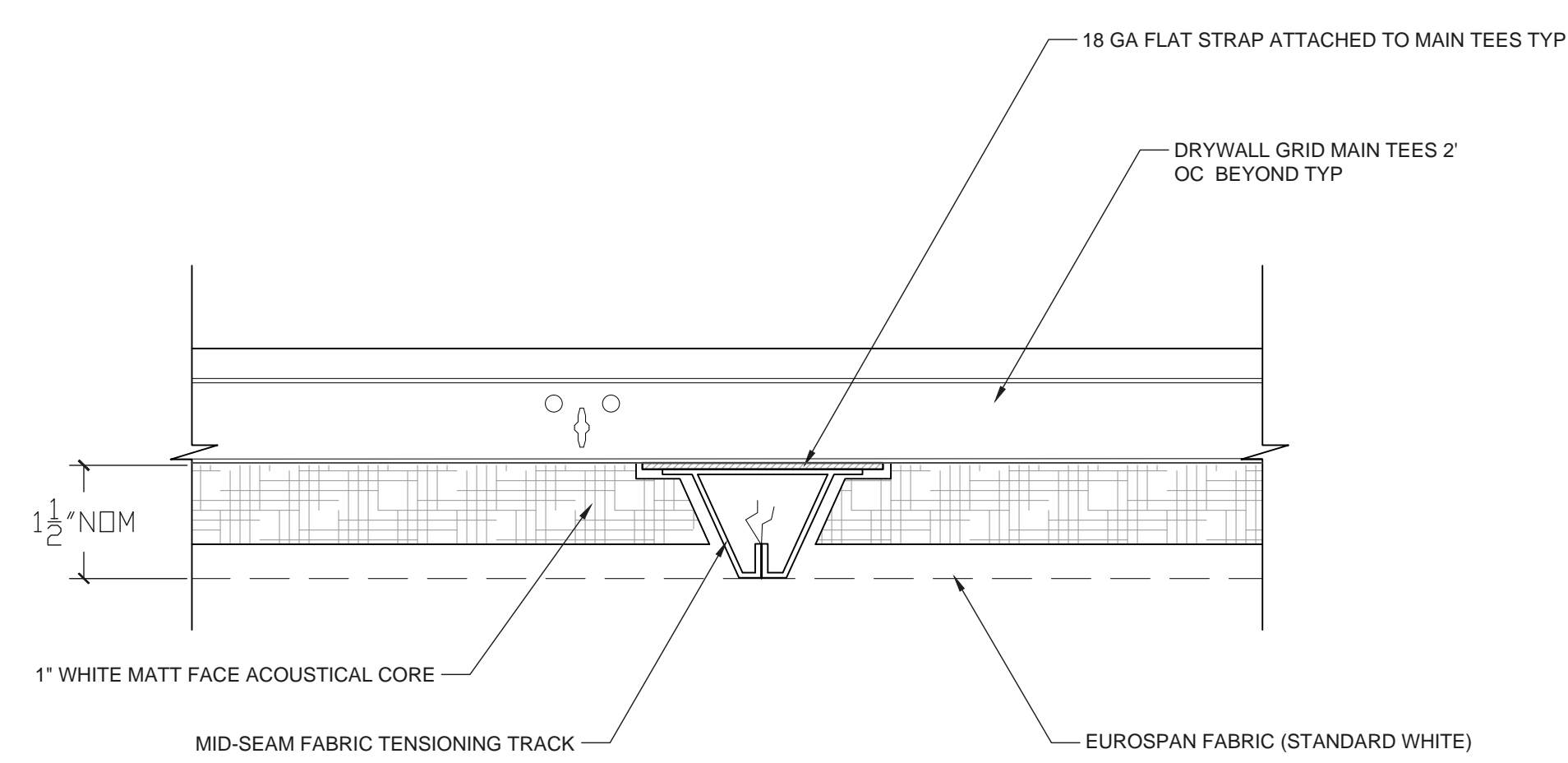
B TYPICAL @ PERIMETER WALL
 (1.5GRD) (DRY WALL GRID) HALF SCALE



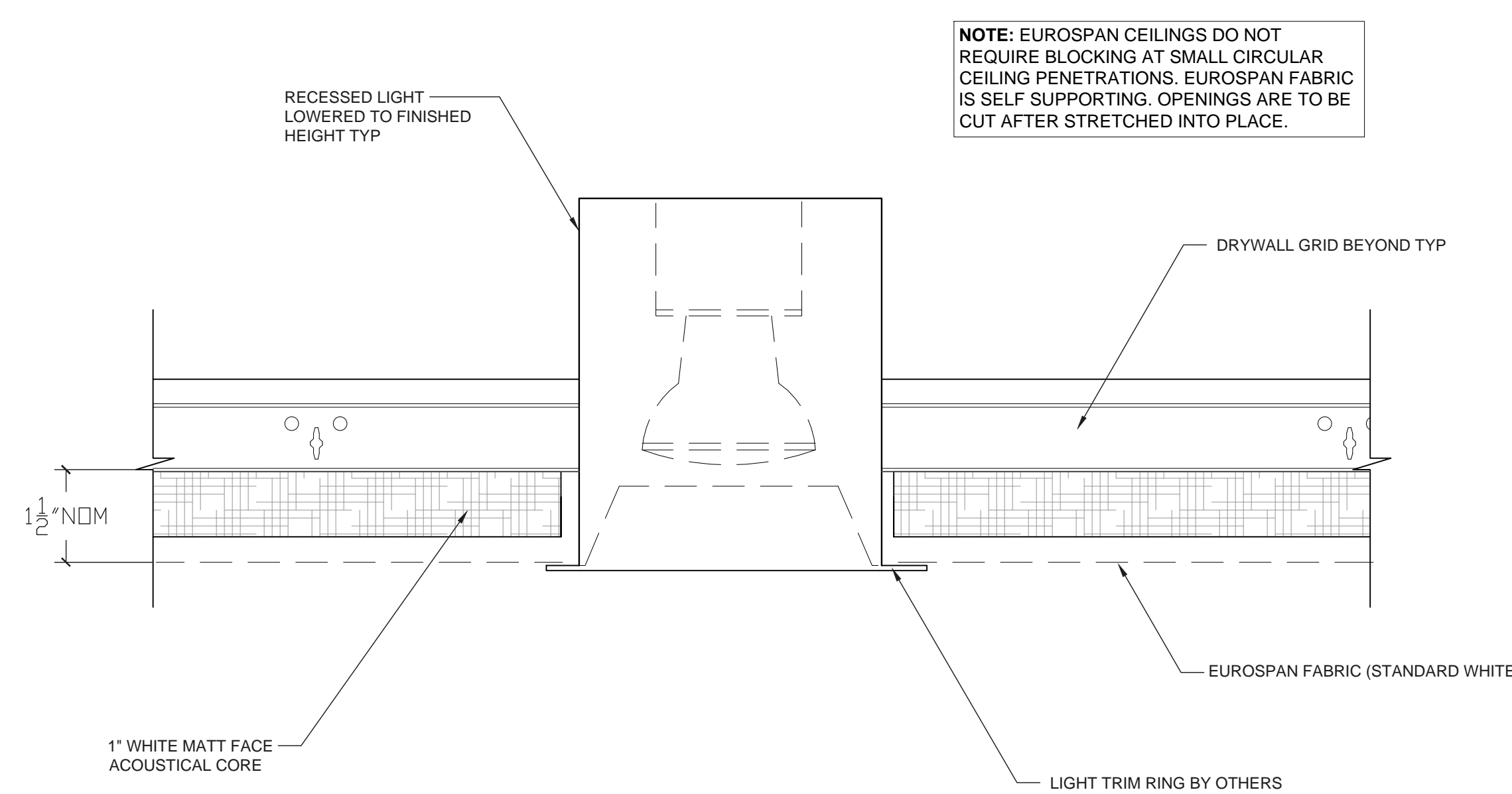
C TYPICAL @ FLUSH CEILING TRANSITION
 (1.5GRD) (DRY WALL GRID) HALF SCALE



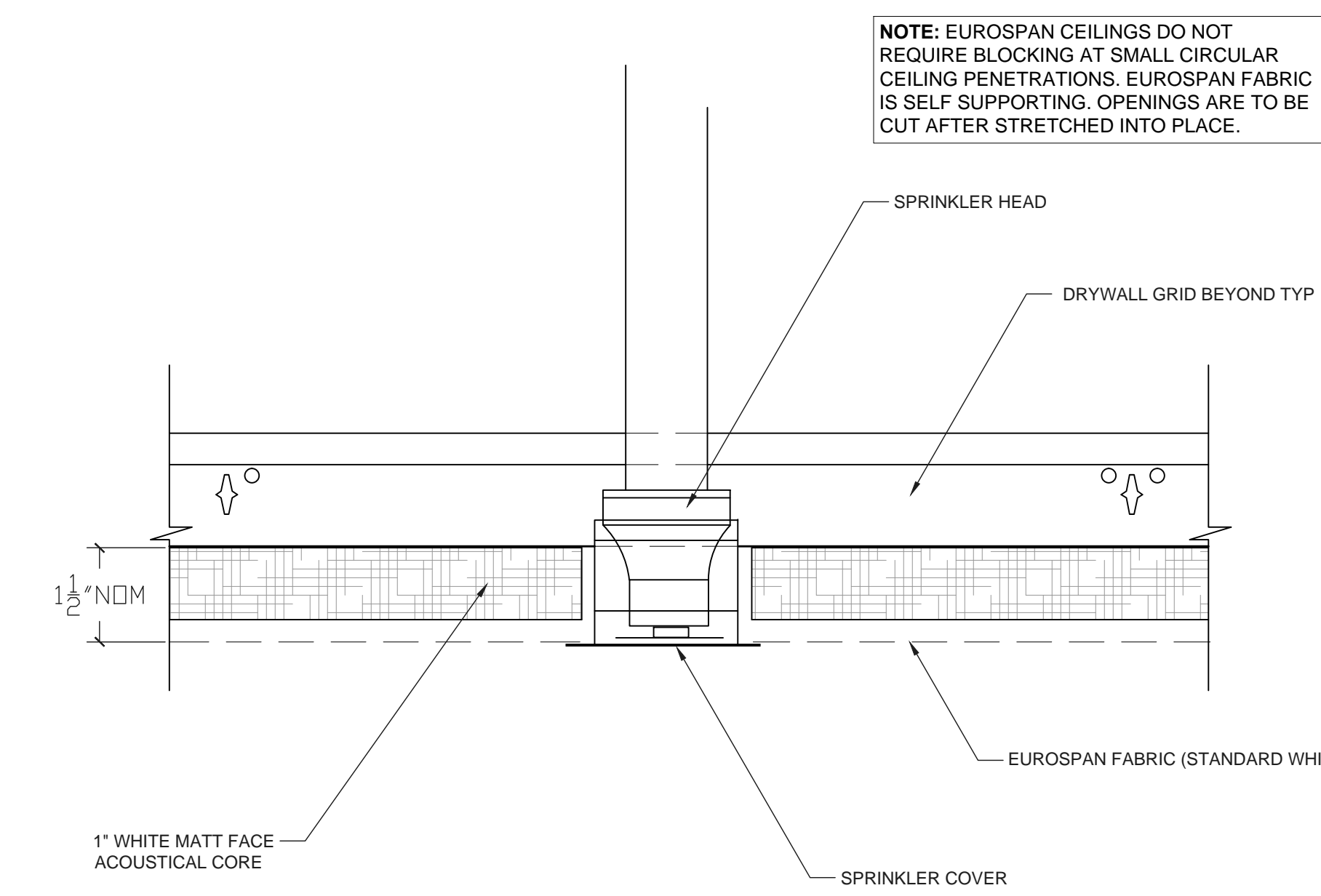
D MAIN TEE MID-SEAM EUROSPAN® CEILING CLOUD
 (1.5GRD) (DRY WALL GRID) HALF SCALE



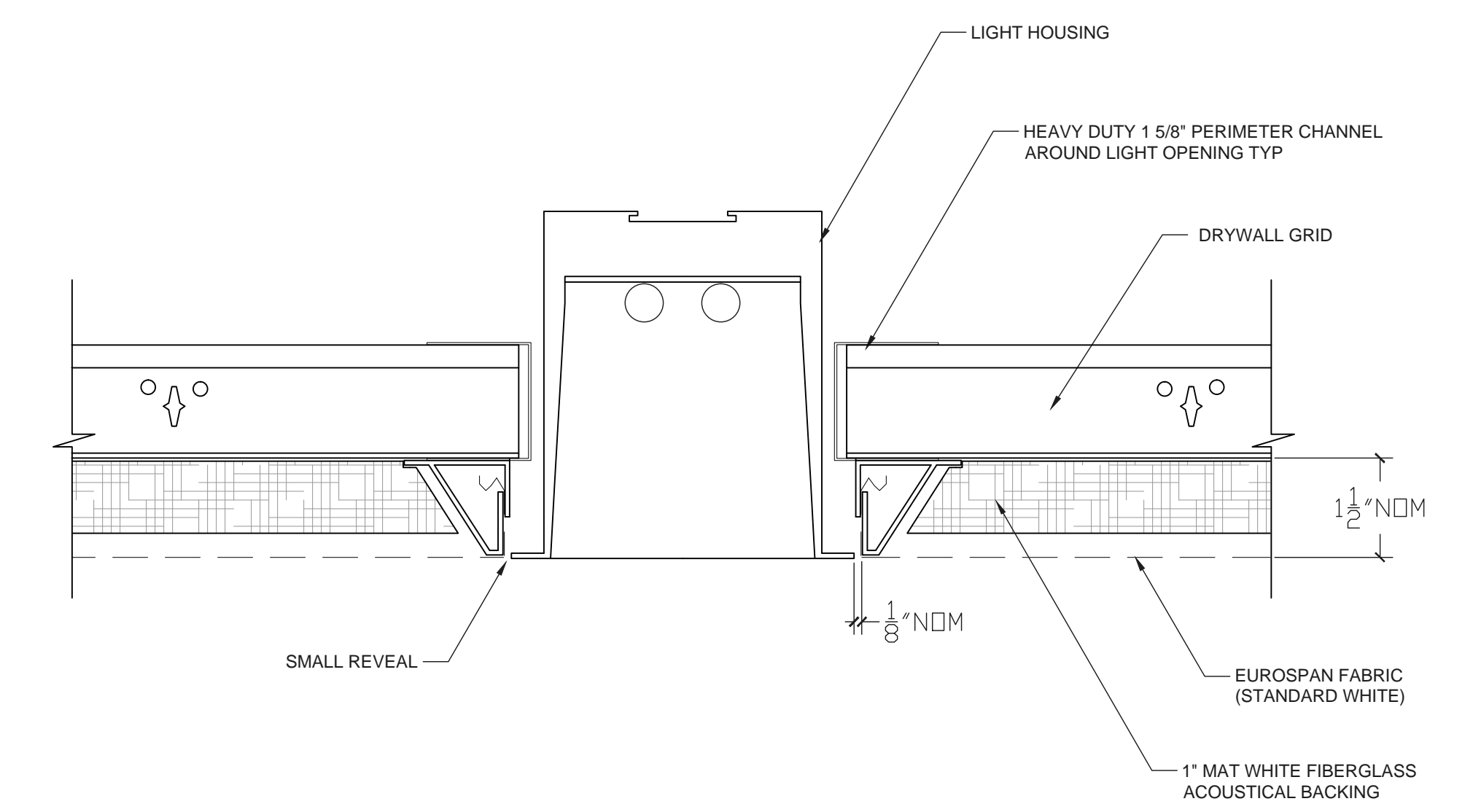
E ALTERNATE MID-SEAM EUROSPAN® CEILING CLOUD
 (1.5GRD) (DRY WALL GRID) HALF SCALE



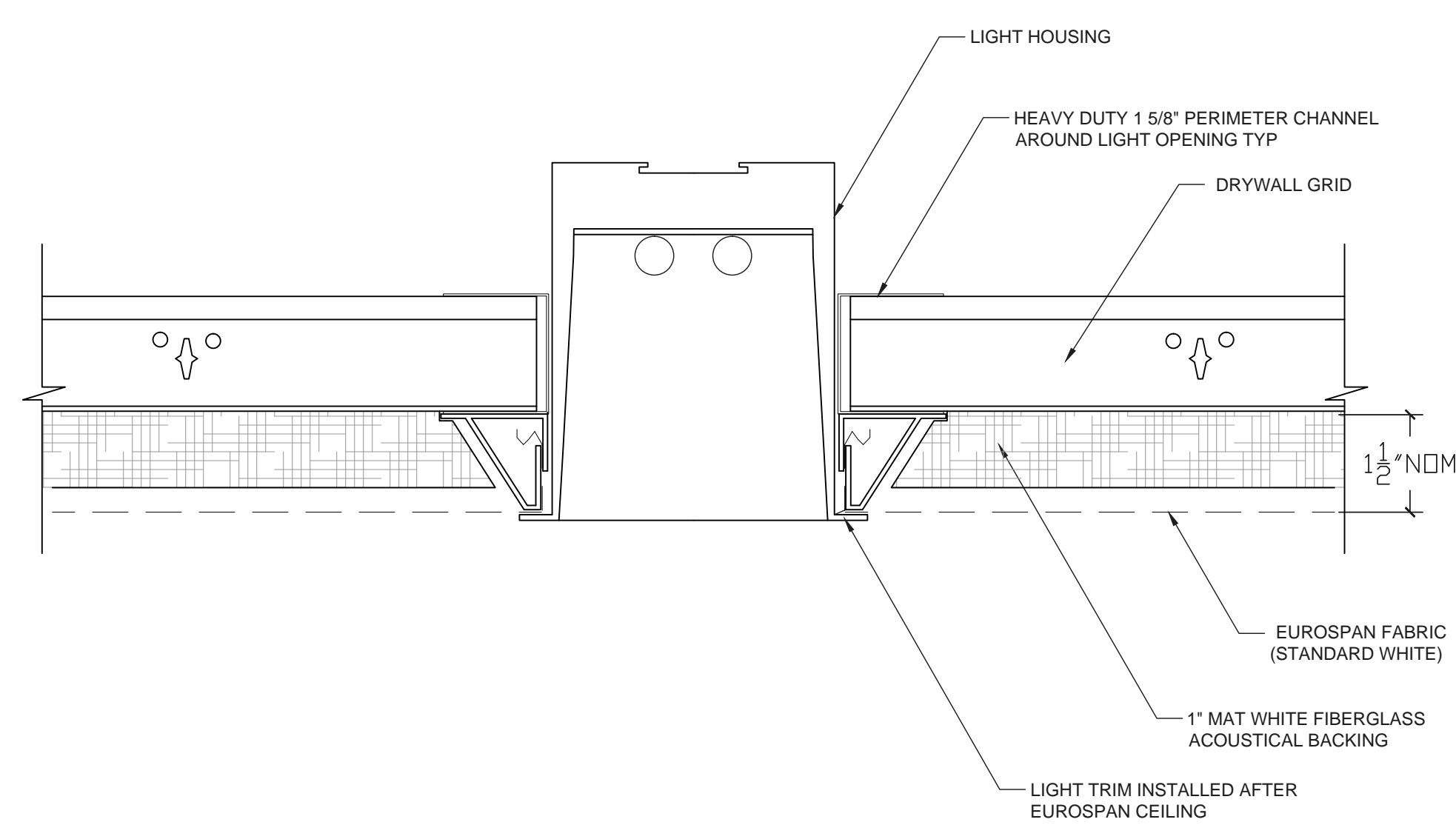
F TYPICAL RECESSED LIGHT
 (1.5GRD) (DRY WALL GRID) HALF SCALE



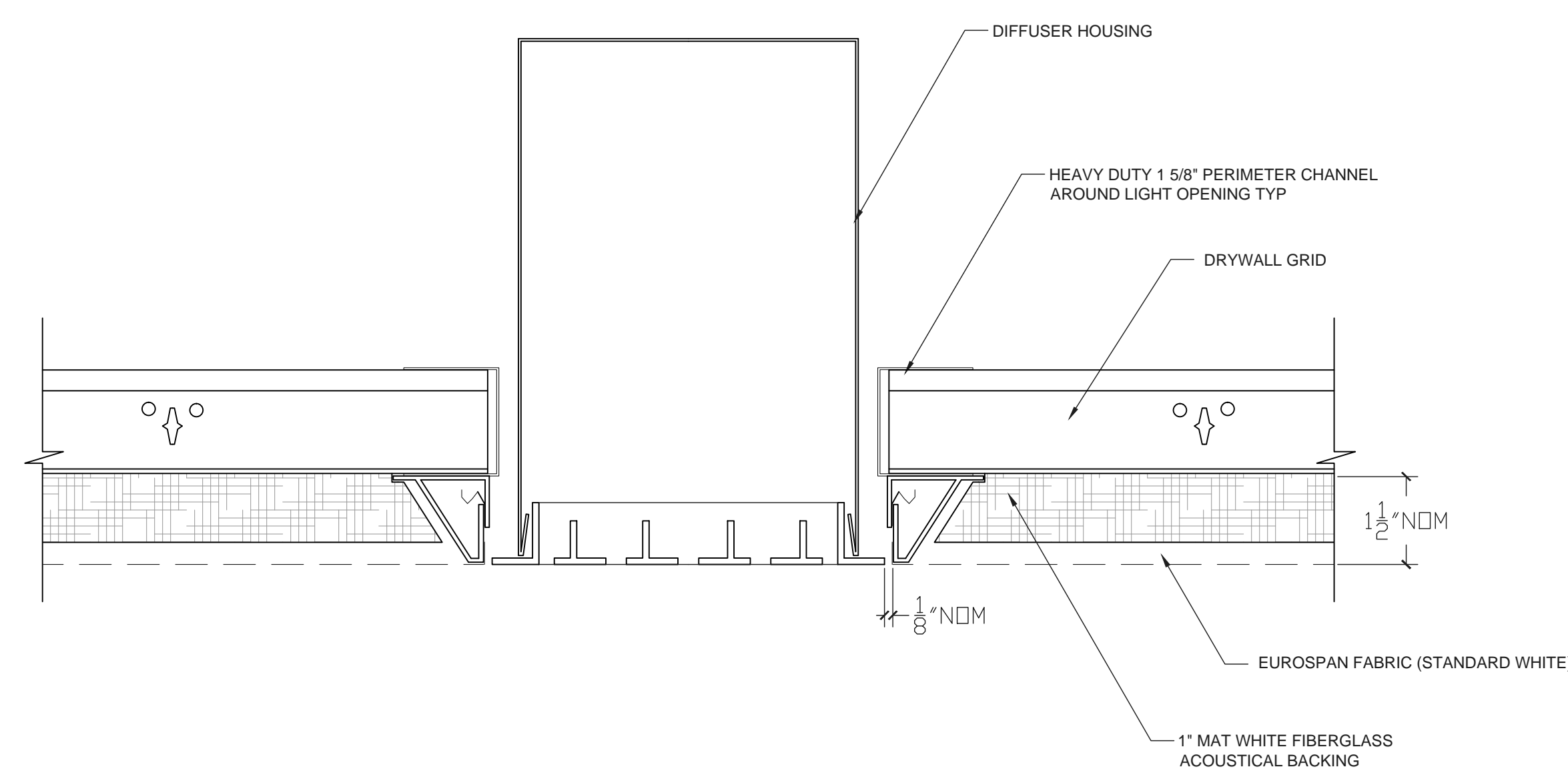
G TYPICAL @ SPRINKLER HEAD
 (1.5GRD) (DRY WALL GRID) HALF SCALE



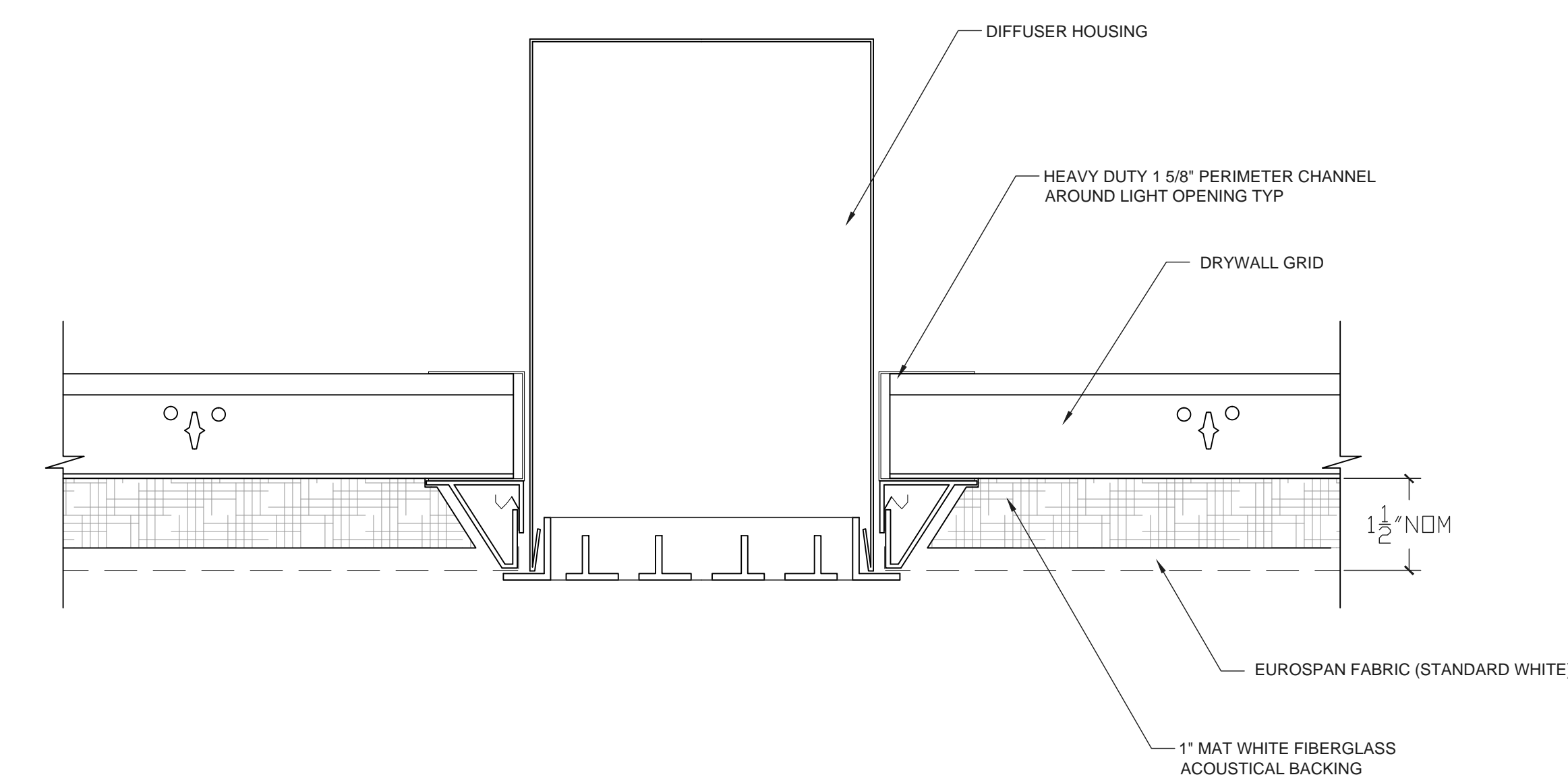
H TYPICAL @ LINEAR LIGHT UP TO TRIM FLANGE TYP
 (1.5GRD) (DRY WALL GRID) HALF SCALE



I TYPICAL @ LINEAR LIGHT TRIM FLANGE OVER EUROSPAN®
 (1.5GRD) (DRY WALL GRID) HALF SCALE



K TYPICAL @ LINEAR AIR DIFFUSER UP TO TRIM FLANGE TYP
 (1.5GRD) (DRY WALL GRID) HALF SCALE



L TYPICAL @ LINEAR AIR DIFFUSER TRIM FLANGE OVER EUROSPAN®
 (1.5GRD) (DRY WALL GRID) HALF SCALE