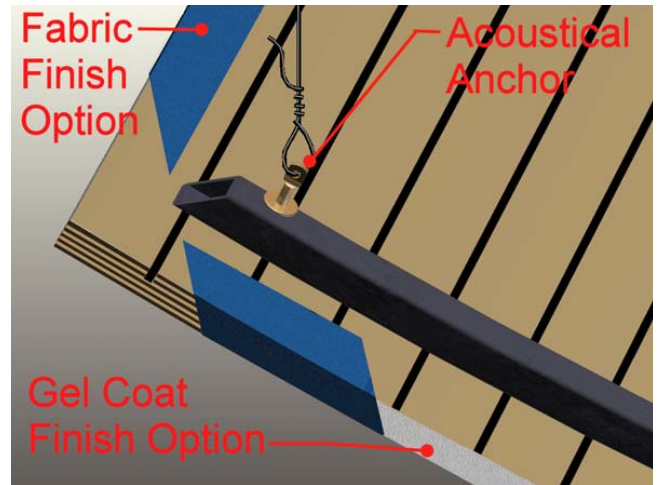
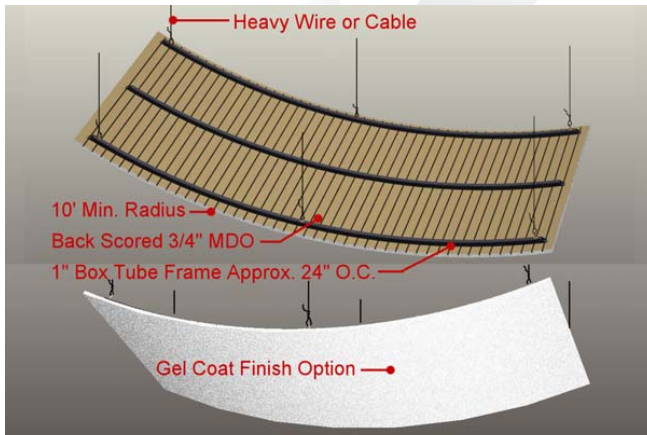




# REFLECTOR



The following are guidelines given in good faith to help avoid common errors. They are not intended to be a step-by-step list of instructions or a checklist, and it is assumed the installer has general construction knowledge. Conwed Designscape|Wall Technology bears no responsibility for installation actions taken or not taken, and is not responsible for installer selection.

### INSPECTION

**Freight Damage:** Inspect cartons for obvious damage before accepting and note on delivery ticket.

**Concealed Damage:** Notify Conwed Designscape of any concealed damage within five (5) business days of receipt. Claims beyond five (5) days will be honored at the discretion of Conwed Designscape or the freight company.

1. Eight (8) attachment points per 48"×120" panel, 6 per 48"×48". (Note exception shown on page 2 when reflectors are ganged together).
2. Follow applicable portions of sections 2.1 and 2.3 of ASTM C636-96. Specifically, a) use a minimum of No. 12-gage galvanized, soft-annealed, mild steel wire; and b) wire loops shall be tightly wrapped and sharply bent to prevent any vertical movement. Wire must be wrapped around itself a minimum of three (3) full turns within a 3-inch length.
3. Local codes may exceed these minimums and must be strictly adhered to.



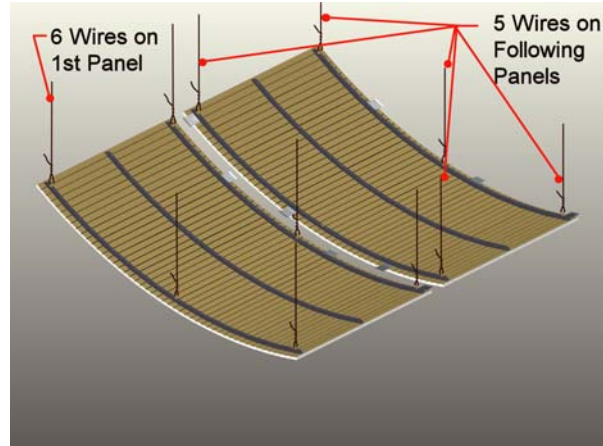
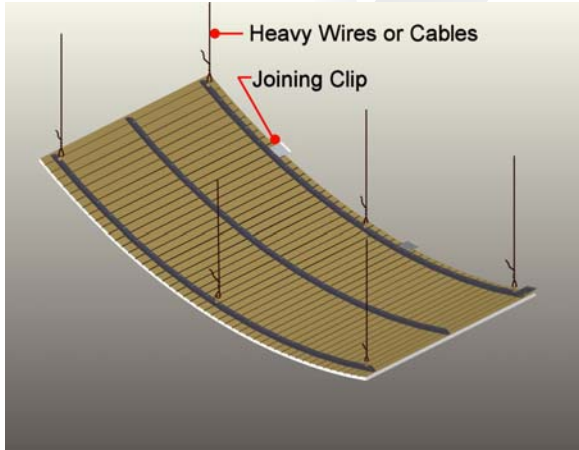
**CDC CORPORATION**  
800 Gustafson Road  
Ladysmith, Wisconsin 54848

**T: 1-800-932-2383**  
**F: 1-800-833-4798**  
**www.conweddesignscape.com**

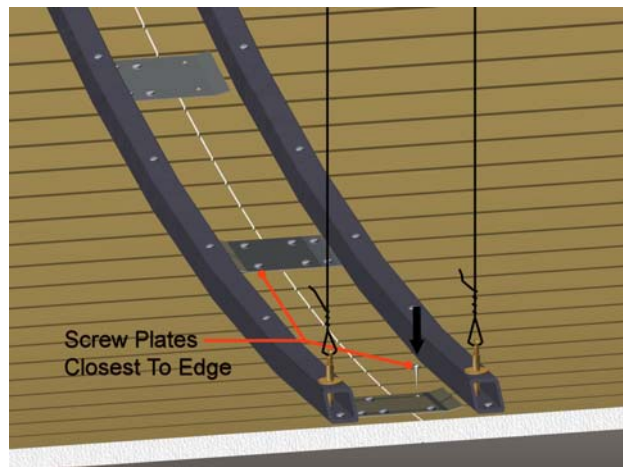
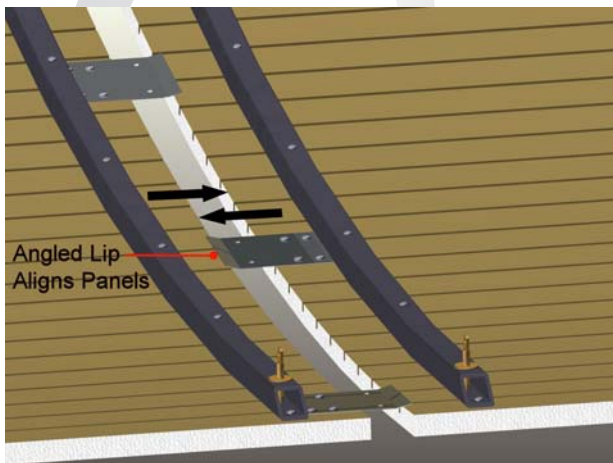
Printed in U.S.A. April 2014.  
© 2014 Owens Corning. All Rights Reserved.

LEED is a registered trademark of U.S. Green Building Council.

**BEST PRACTICES TO ENSURE FACE ALIGNMENT**



**Important:** Note offset installation of Joining Clips (6 per 8' length as shown).  
Also Note: **Factor of Safety** on the "Following Panel" above is **8.0!**



When installed, joining plates on the outside edges (usually the outside 2) are screwed to the next panel whereas this is not required for the center clips as shown.

**Worst Practice:** No hardware in the center of the abutting panels!

