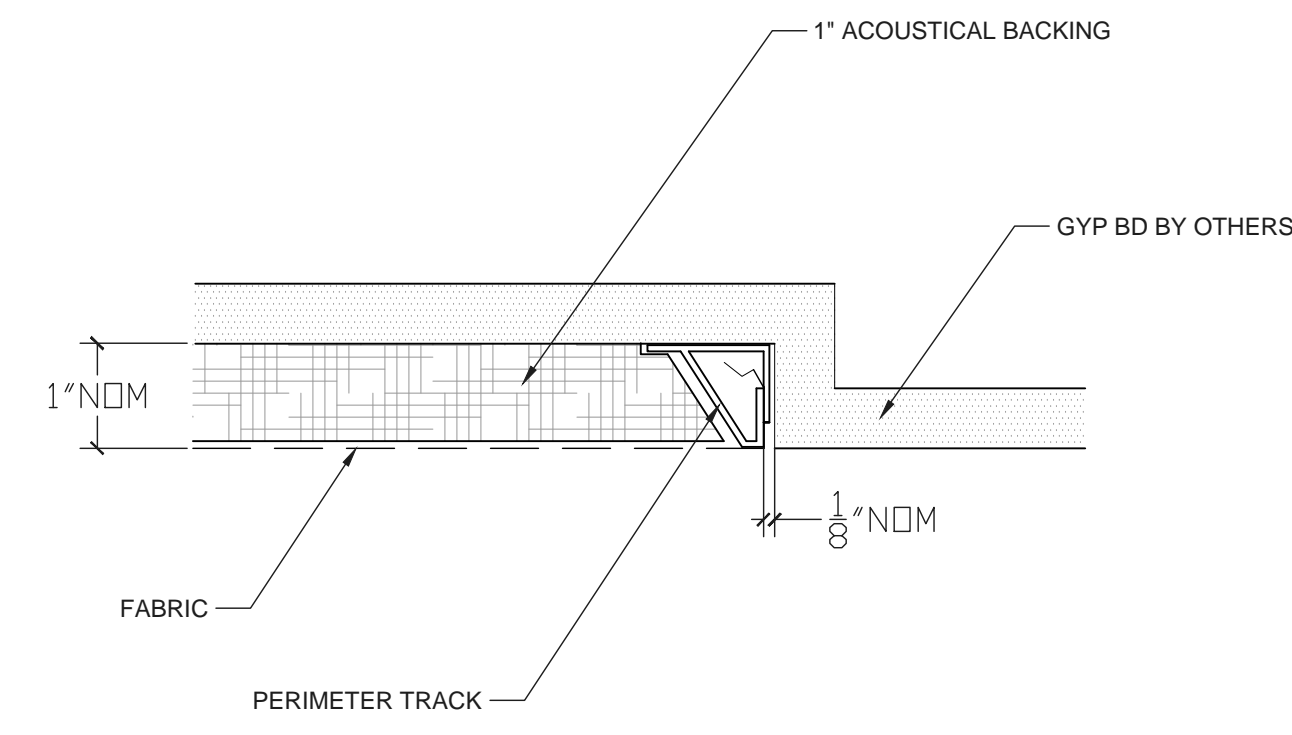
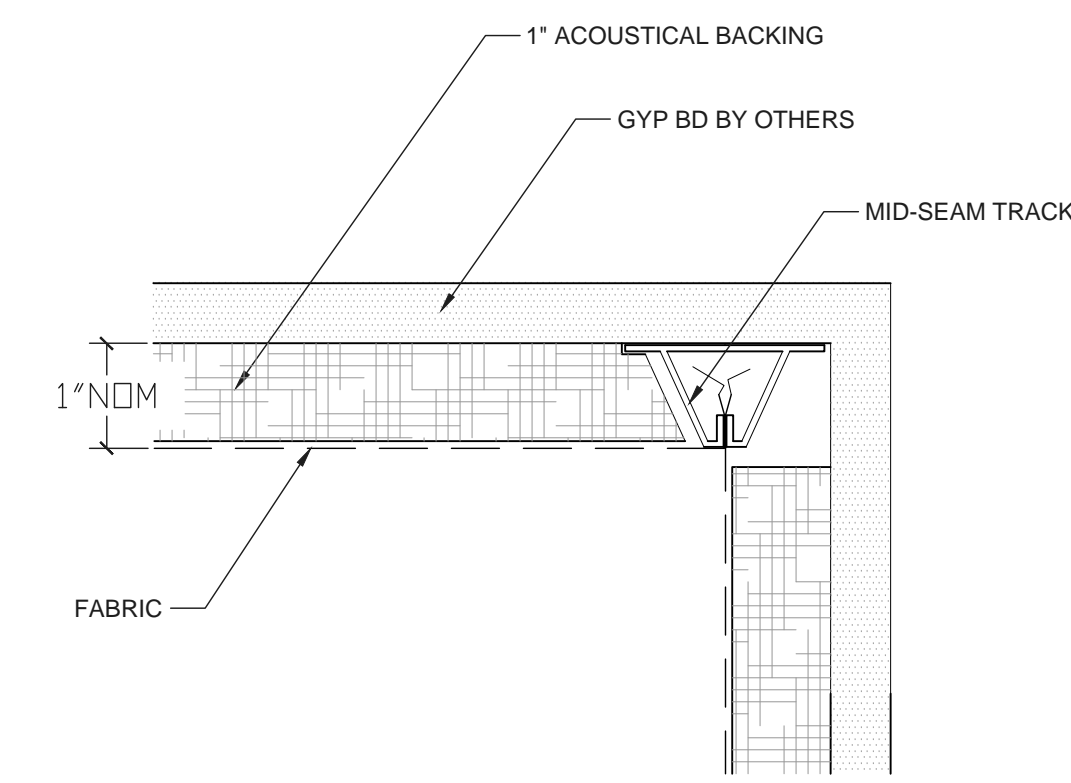


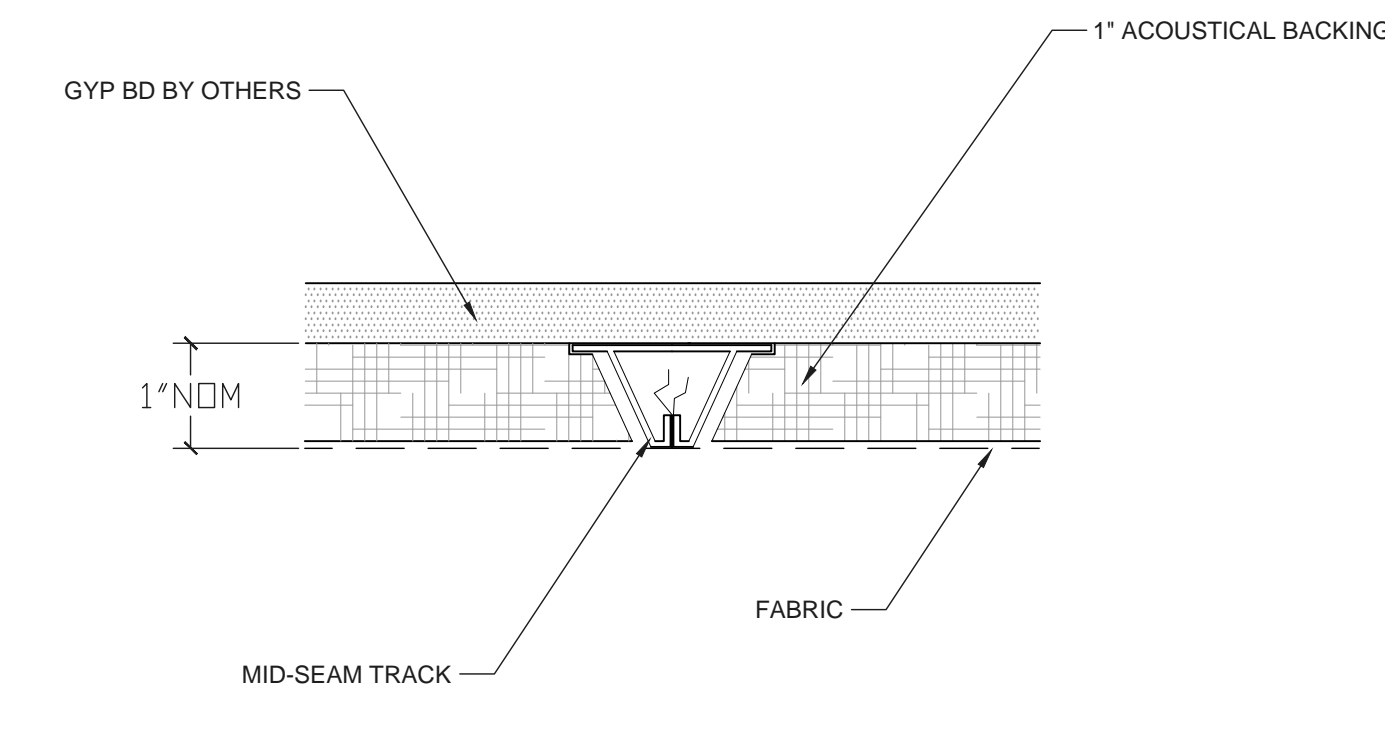
A EDGE AT WALL/SOFFIT
1/2" GYP BD HALF SCALE



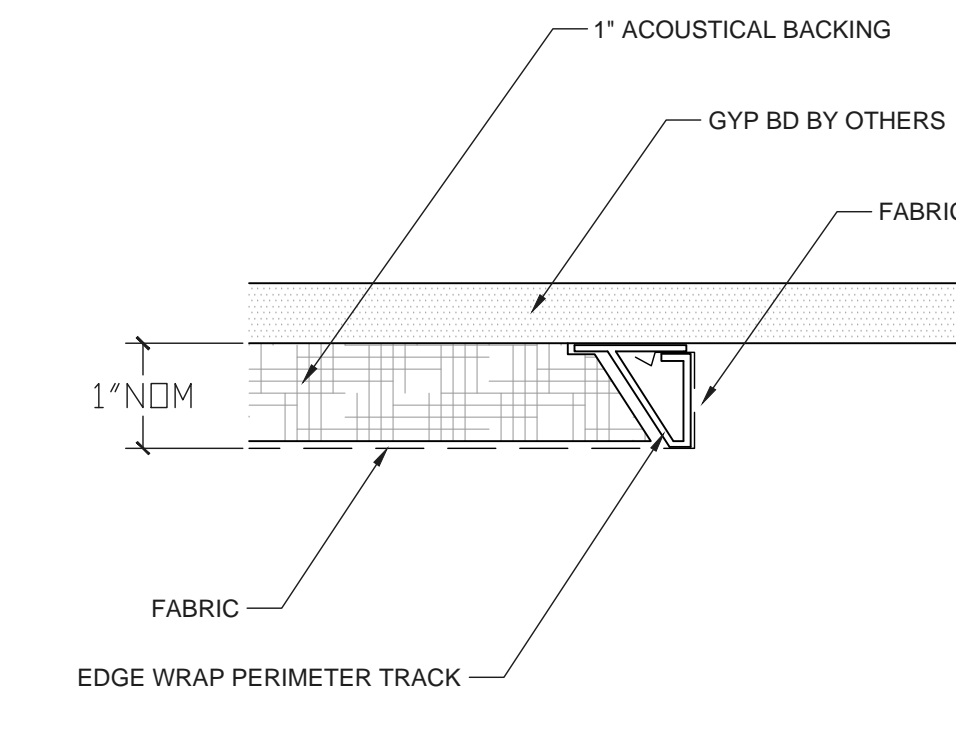
B FLUSH MOUNT DETAIL
1/2" GYP BD HALF SCALE



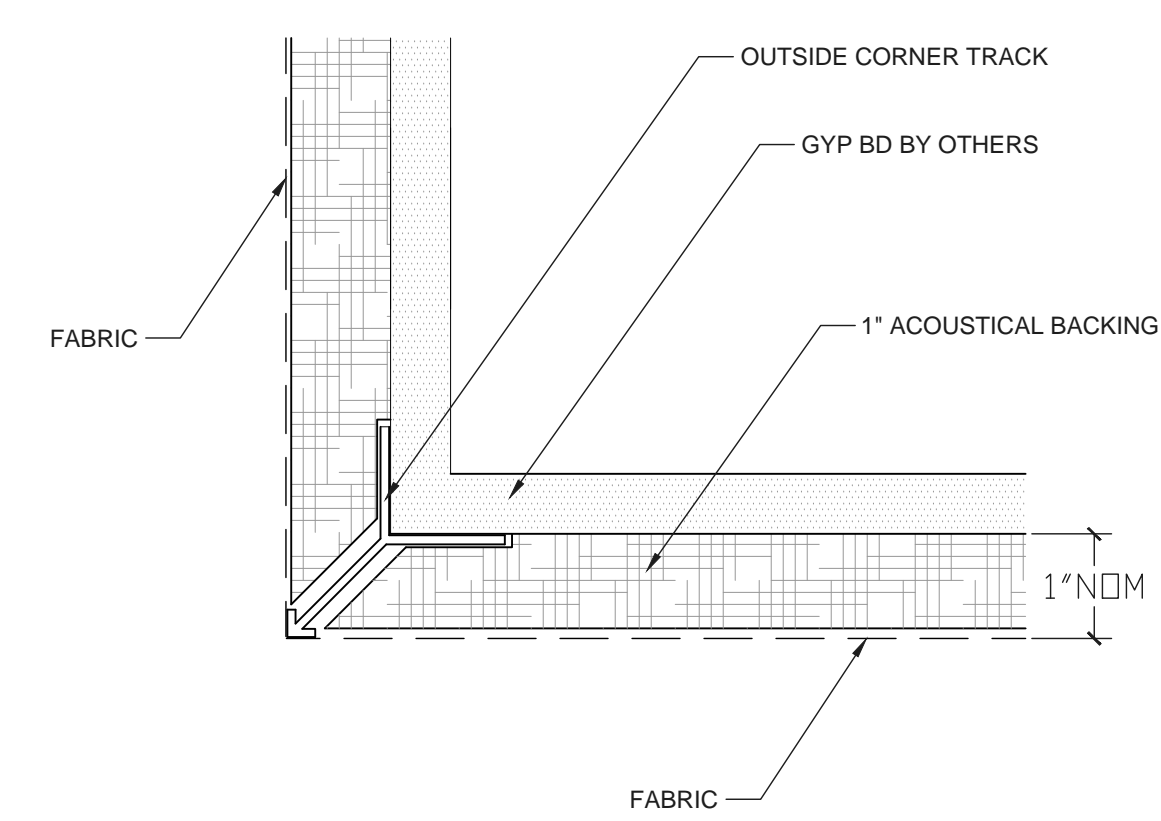
C INSIDE CORNER DETAIL
1/2" GYP BD HALF SCALE



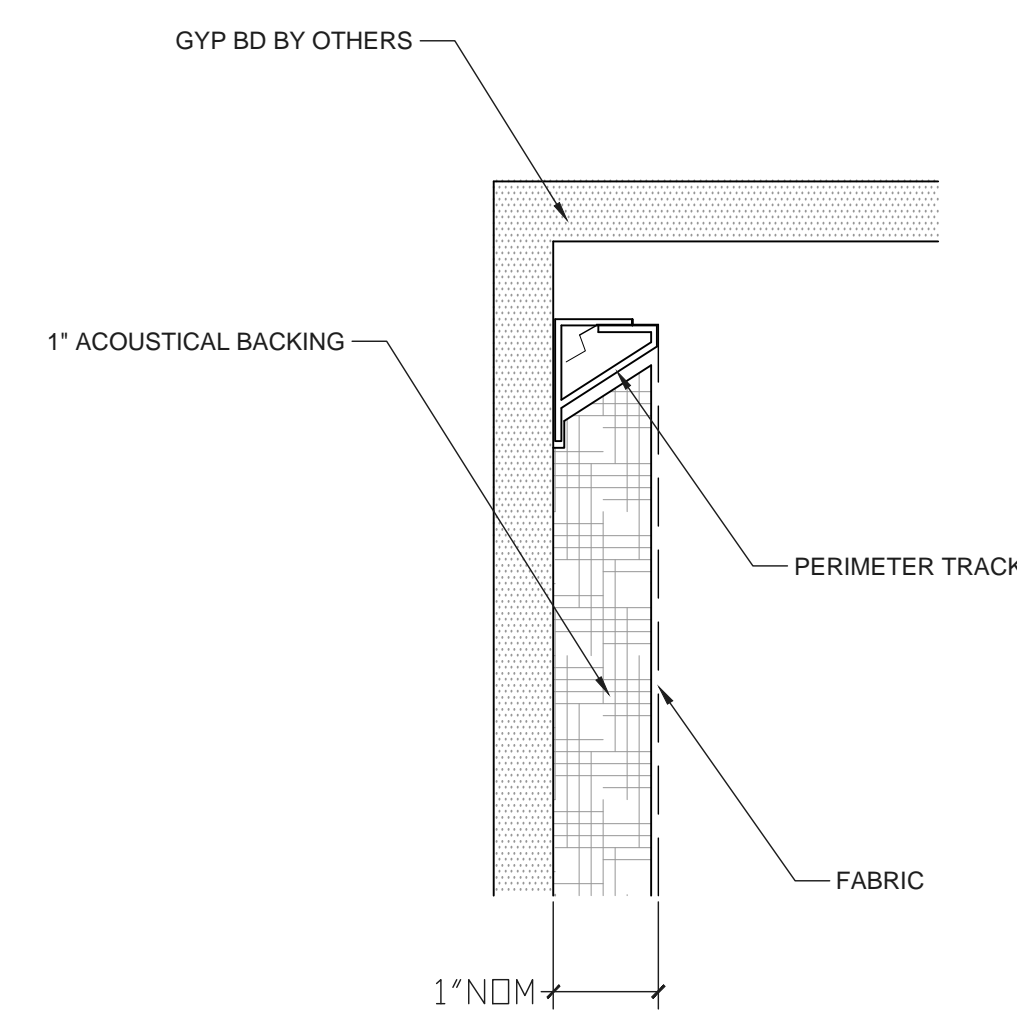
D TYPICAL MID SEAM JOINT
1/2" GYP BD HALF SCALE



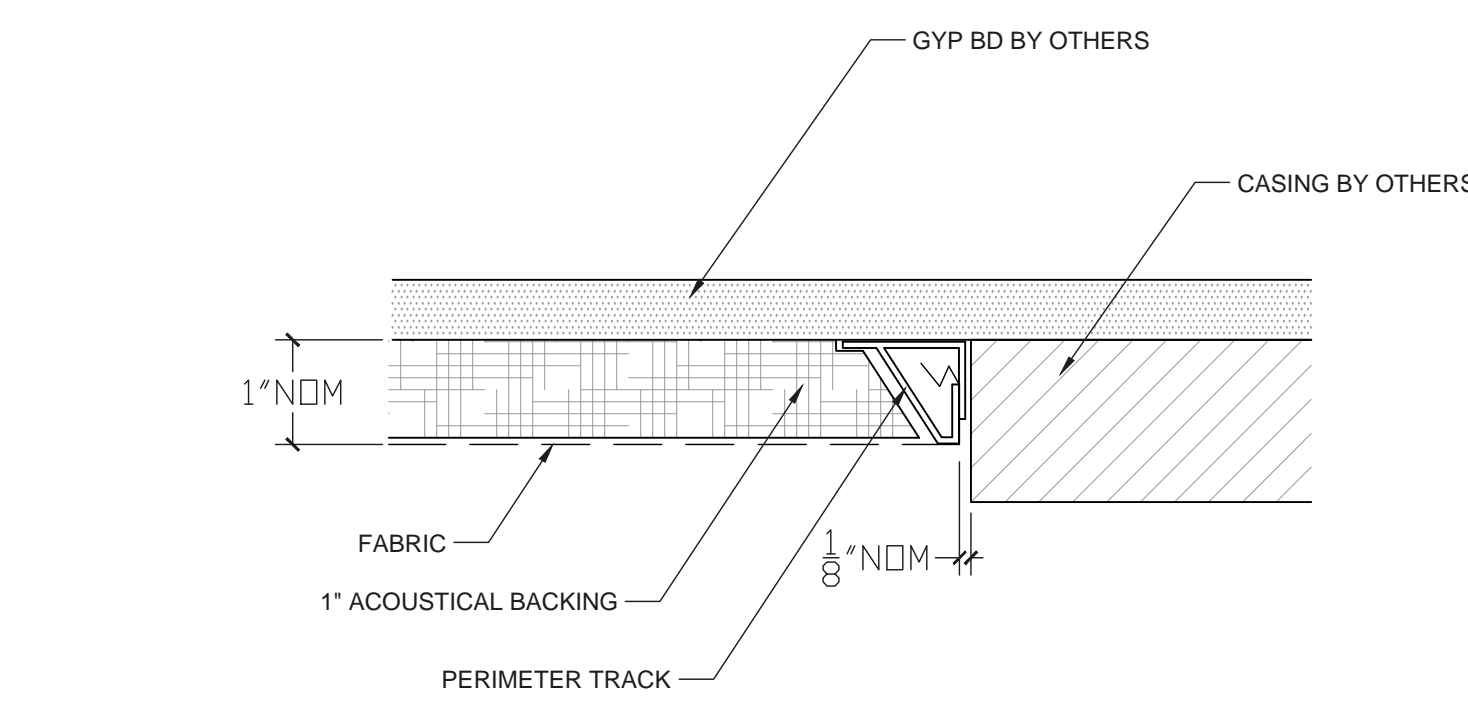
E FABRIC FINISHED WRAPPED EDGE DETAIL
1/2" GYP BD HALF SCALE



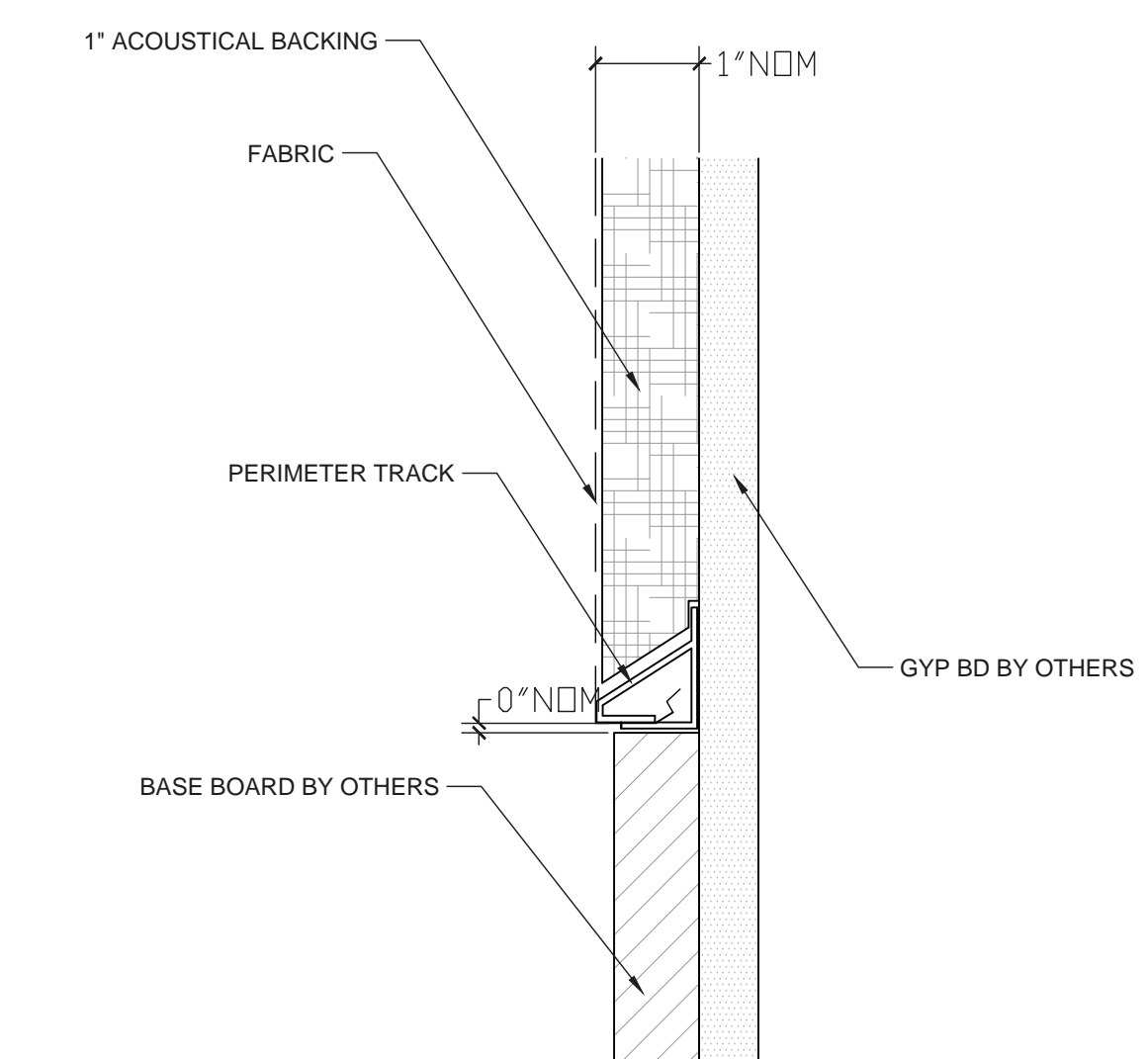
F OUTSIDE CORNER DETAIL
1/2" GYP BD HALF SCALE



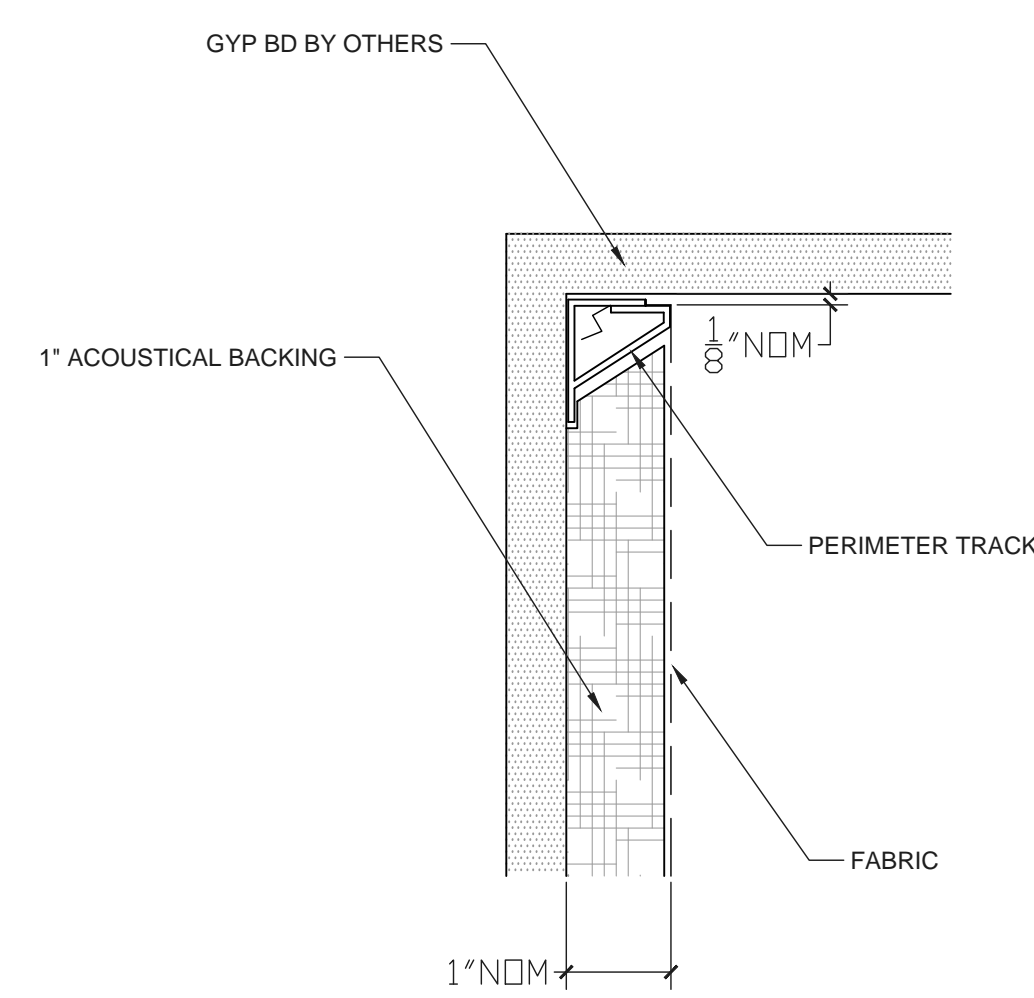
G REVEAL AT CEILING DETAIL
1/2" GYP BD HALF SCALE



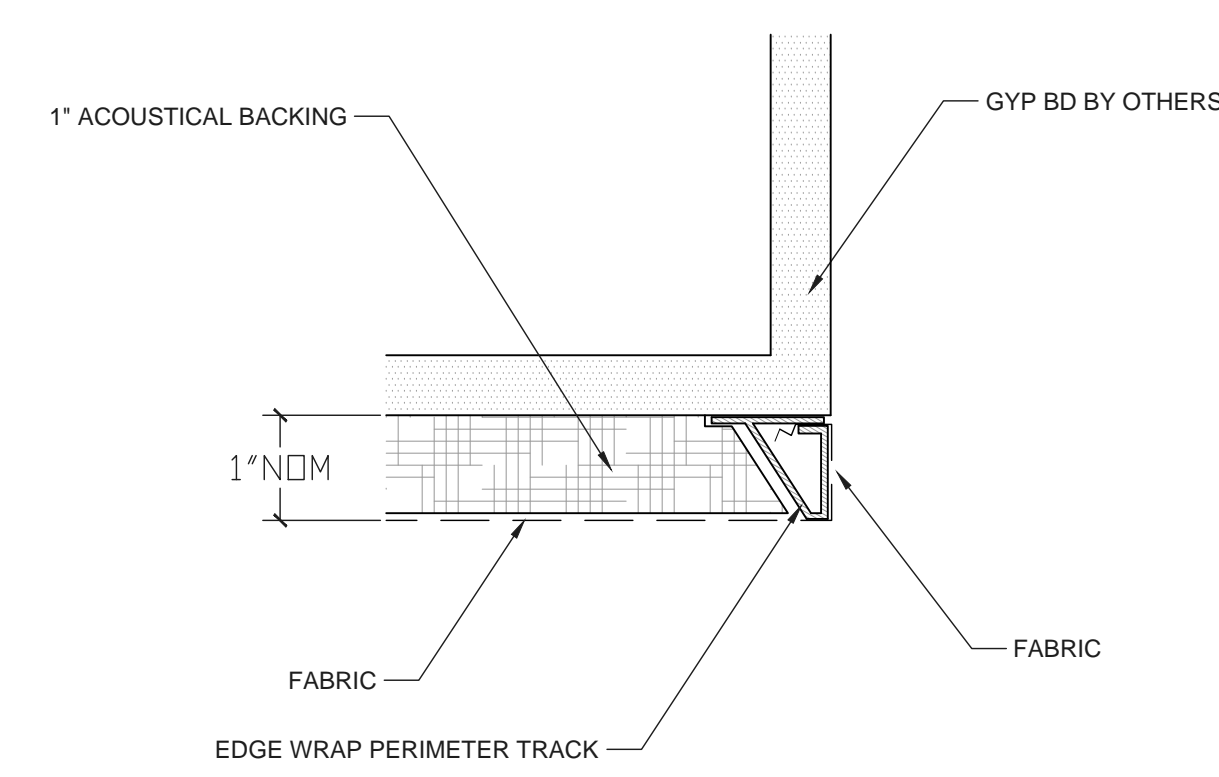
H TYPICAL WINDOW/DOOR CASING DETAIL (PLAN VIEW)
1/2" GYP BD HALF SCALE



I TYPICAL PERIMETER AT BASE BOARD DETAIL
1/2" GYP BD HALF SCALE



J TYPICAL CEILING DETAIL
1/2" GYP BD HALF SCALE



K FULL WRAP END CORNER DETAIL (PLAN VIEW)
1/2" GYP BD HALF SCALE